

# ***Honeyville*** Screw Conveyors

## Flanged U-Trough



**Galvanized For Long Life and Low Maintenance**

**5 Sizes – Capacities up to 8,000 BPH**

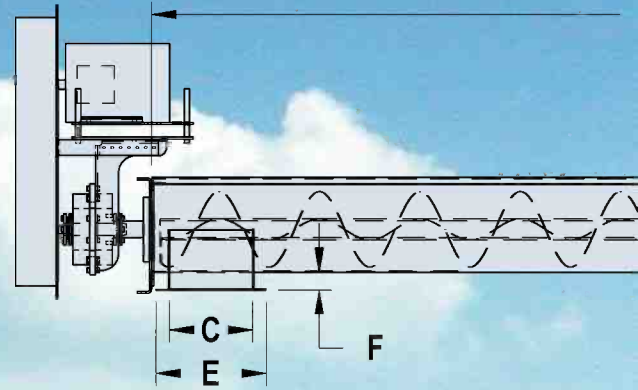


# Honeyville

## FLANGED U-T

### Features

- Heavy gauge steel, formed top flanged U-Trough sections.
- Pre-fitted flanged trough sections.
- Standard galvanized bolt-on covers.
- Connector flanges pre-fitted and welded to trough ends.
- Hot-dipped galvanized *after* welding.
- Class II Dodge torque-arm II speed reducers with overhead motor mounts and enclosed belt guard.
- Motor mount options: overhead, left or right sides.
- Trough and Screw options: standard, HD or XHD.
- Screw options: helicoid, sectional or shorter pitches.
- 226 Style Hanger bearing options: wood, nylon or UHMW. Designed for your specific application.



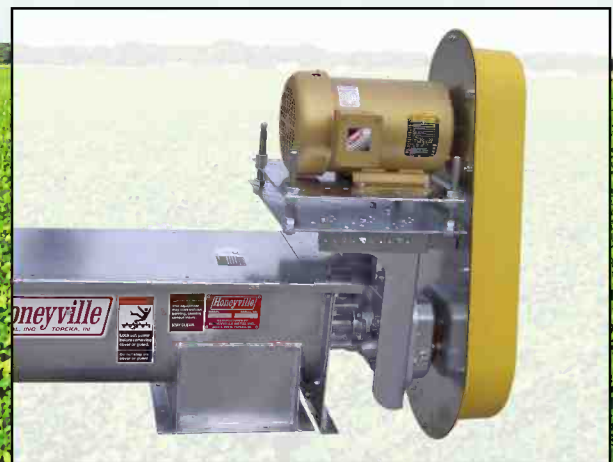
### Flanged U-Trough Screw Conveyor Sp

Auger Dia.	Tube Dia.	Capacity Range	
6	7	200 - 450 BPH	
9	10	500 - 1,700 BPH	
12	13	2,000 - 3,500 BPH	
14	15	3,500 - 5,500 BPH	
16	17	6,500 - 8,000 BPH	

\*All dimensions shown above are in inches



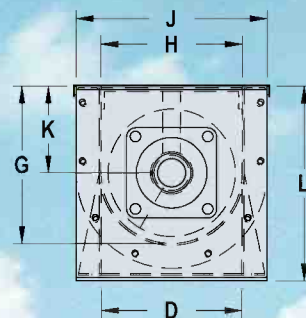
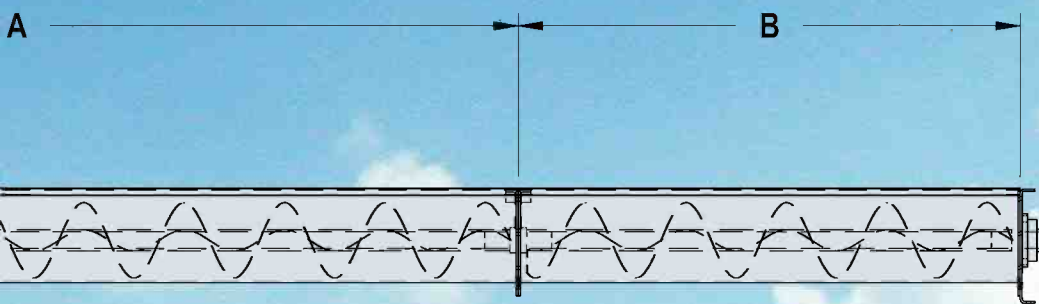
Easily accessible galvanized bolt-on cover. Overhead motor mount and Dodge speed reducer shown without belt guard, drive sheaves and motor.



Class II Dodge torque-arm II speed reducers powered by the appropriately sized Baldor motor resulting in a smooth running constant speed drive.

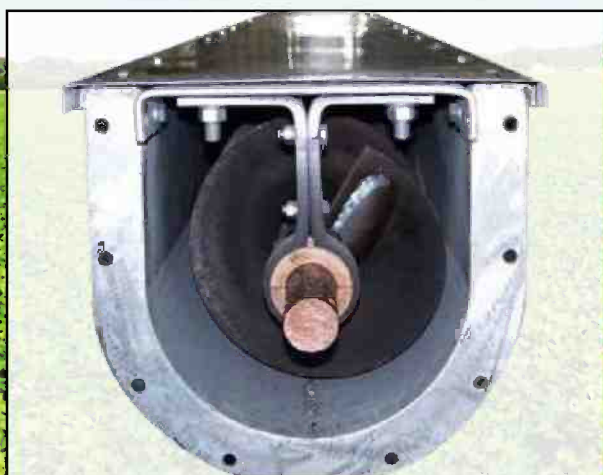


# TROUGH SCREW CONVEYORS



**END VIEW**

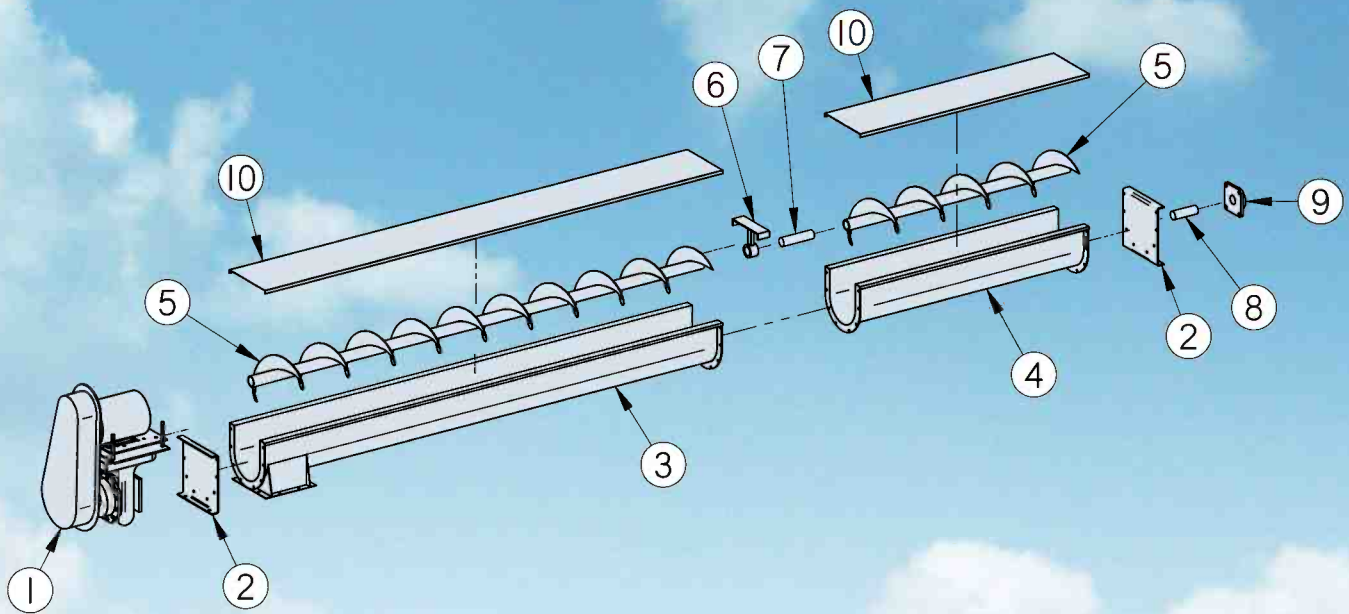
Specifications												Material Specifications		
	A	B	C	D	E	F	G	H	J	K	L	Trough	Cover	Shaft Dia.
	120	60	6	6	8-11/16	2-3/8	8-1/16	7	10	4-7/16	10-1/4	14 Ga.	16 Ga.	1-1/2
	120	60	10	10	13-1/4	2-1/8	11-1/8	10	13-1/2	6-1/8	13-3/4	14 Ga.	16 Ga.	1-1/2
	144	72	12	12	15-3/16	3-1/8	14-1/4	13	17-1/2	7-3/4	17-1/4	12 Ga.	14 Ga.	2
	144	72	14	14	17-3/16	3-1/8	16-3/4	15	19-1/2	9-1/4	19-7/8	12 Ga.	14 Ga.	2-7/16
	144	72	16	16	19-3/16	3-1/8	19-1/8	17	21-1/2	10-5/8	23	12 Ga.	14 Ga.	3



226 Style Hanger bearings with insert options of wood, nylon or UHMW. Made for your specific application.



Optional bolt-in UHMW liner for extended trough life and lower maintenance.



Item	Description
1	Drive Package
2	End Plate
3	U-Trough with Discharge
4	U-Trough
5	Screw

Item	Description
6	Hanger Bearing
7	Coupler Shaft
8	End Shaft
9	Flange Bearing
10	Cover

To operate at rated capacities, processing equipment must be fed with a sufficient supply of material. Honeyville U-Trough Screw Conveyors are designed to move dry, bulk materials and grains uniformly fed from pit hoppers, storage bins, and other conveying equipment.

## Gently Moving Nature's Grains

Manufactured by



4200S 900W • Topeka, IN 46571  
 Phone (800) 593-8377 • Fax (260) 593-2486  
[www.honeyvillemetal.com](http://www.honeyvillemetal.com)