

Honeyville

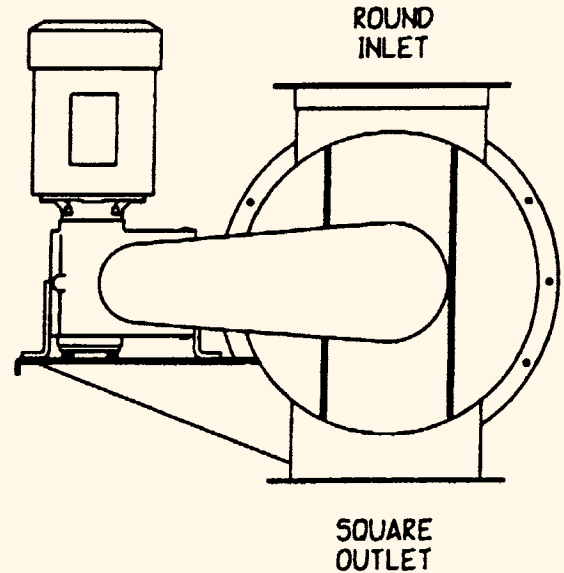
HAL Series Rotary Airlocks



5 Sizes – Ranging from 8” - $\frac{3}{4}$ HP to 24” - 3 HP



ROTARY AIRLOCK SPECIFICATIONS



Standard Specifications for HMI Rotary Airlocks

Model	HP	Round Inlet	Square Outlet	Shaft Size	Overall Height	# of Vanes	RPM	Cap. @ 75% fill		Total lbs.
								CFR	CFM	
HAL-8	3/4 HP	8"	8" Sq.	1-1/4"	18"	4	22.6	0.5	11.3	205
HAL-10	1 HP	10"	10" Sq.	1-1/4"	22"	4	20.8	1.0	20.8	232
HAL-12	1-1/2 HP	12"	12" Sq.	1-1/2"	25"	6	18.6	1.7	31.6	370
HAL-16	2 HP	16"	16" Sq.	1-1/2"	32"	6	18.2	4.1	74.6	530
HAL-24	3 HP	24"	24" Sq.	1-15/16"	40"	6	16.7	10.6	177.0	1,030

HR STEEL used throughout the fabrication of the housing, end plates, and rotor assembly.

PVC SANDWICH WIPERS with optional carbon steel flex tip limiters for special applications where a tighter seal is desired.

BOLT-ON SIDE PANEL for easy access to change PVC flex tips without removing the rotor.

DRIVE SYSTEM consists of 1800 RPM C-face mounted motor, right angle gear reducer, and roller chain driving the rotor.

Manufactured by

Honeyville

4200S 900W • Topeka, IN 46571
 Phone (800) 593-8377 • Fax (260) 593-2486
www.honeyvillemetal.com