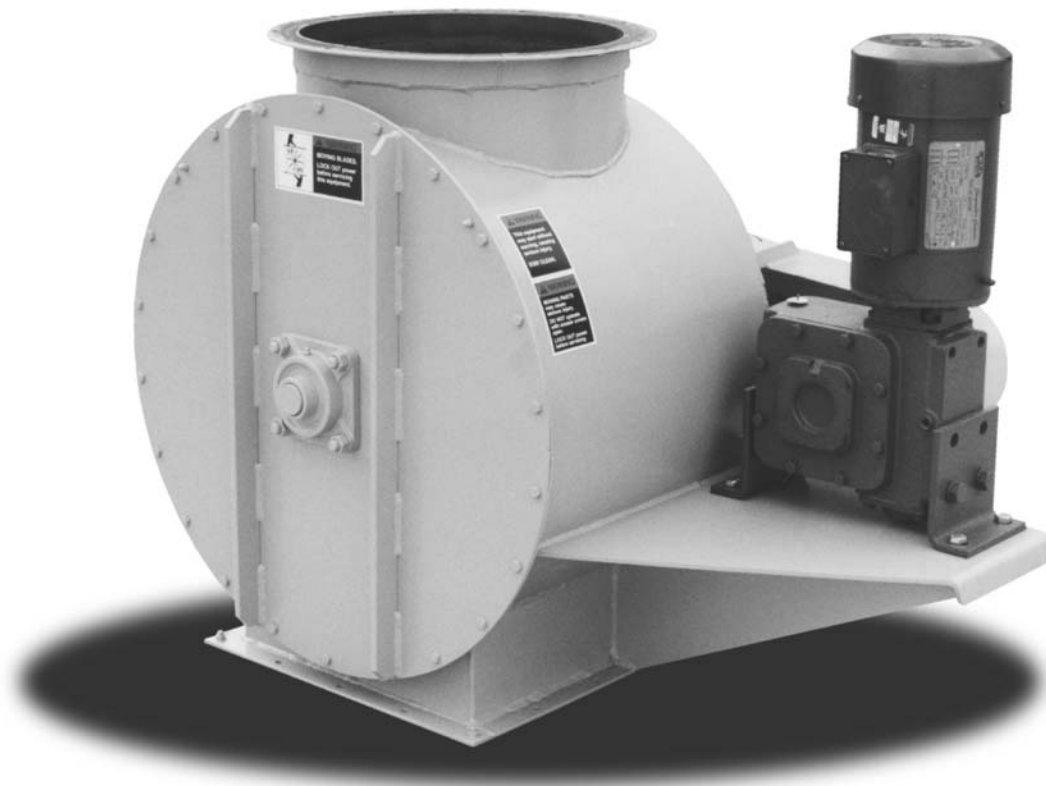


HMI

ROTARY AIRLOCK

The HMI Rotary Airlock is a Heavy Duty all fabricated Flex-tip Airlock suited for applications in various Industries.

HMI The quality that gives you Value.



The HMI Flex-Tip Rotary Airlock Body and Rotor Fabricated of Heavy Carbon Steel. PVC Flex-Tips are sandwiched between bolted steel plates to main rotor. This provides a flexible air seal that allows larger particles to pass through the valve which could jam a solid-tip rotor.

The function of the Airlock is to hold pressure or vacuum in a system and to meter products into Conveying lines to Bins, Tanks, or Silos for material storage. Bolt on side plate can be removed to replace PVC tips without removing steel rotor. The Right Angle Gear Reducer with Roller Chain to Rotor uses a standard 1800 RPM integral mounted motor.

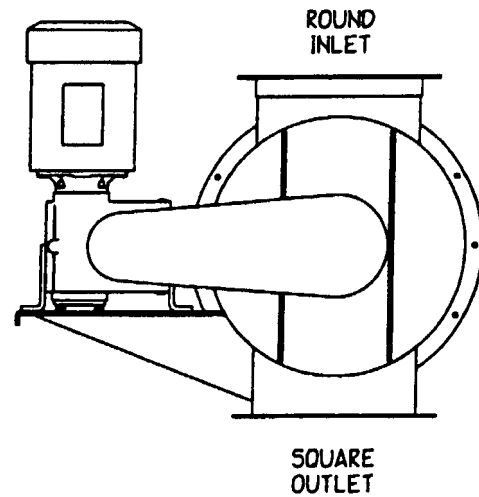
HONEYVILLE METAL, INC.

TOPEKA, IN 46571

PH. (260) 593-2266 FAX (260) 593-2486

HONEYVILLE ROTARY AIRLOCK

HEAVY DUTY FABRICATED FLEX-TIP



Standard Specifications for HMI Fabricated Airlocks

MODEL	ROUND INLET	SQUARE OUTLET	O.A. HEIGHT	SHAFT SIZE	NO. OF VANES	MOTOR HP	CFR	RPM	WT.
HAL-8	8"	8"	18"	1 1/4"	4	3/4	0.5	22.6	205
HAL-10	10"	10"	22"	1 1/4"	4	1	1.0	20.8	232
HAL-12	12"	12"	25"	1 1/2"	6	1 1/2	1.7	18.6	370
HAL-16	16"	16"	32"	1 1/2"	6	2	4.1	18.2	530
HAL-24	24"	24"	40"	1 15/16"	6	3	10.6	16.7	1030

Materials of Construction

Fabricated carbon steel housing
 Carbon steel end plates
 Carbon steel, PVC sandwich rotor

Major Components

Fabricated non-machined, carbon steel housing
 Fabricated carbon steel end plates with 4-bolt flange bearings
 4-vane, carbon steel, PVC tip sandwich rotor construction
 (Models HAL-8, HAL-10)
 6-vane, carbon steel, PVC tip sandwich rotor construction
 (Models HAL-12, HAL-16, HAL-24)
 Rotation (as viewed from drive end)
 Counter-clockwise for all models

Paint

Standard cleaning and metal preparation
 Exterior primed with one coat of red primer
 Exterior to have one finish coat
 Color to be specified:
 Standard color – cream tan
 Alternate standard color – gray

Notes:

- All dimensions are in inches
- Gearmotors are 230/460 volt 3 phase 60 Hz TEFC standard

Manufactured by



Honeyville Metal, Inc.

Topeka, IN 46571

Phone (260) 593-2266 • Fax (260) 593-2486