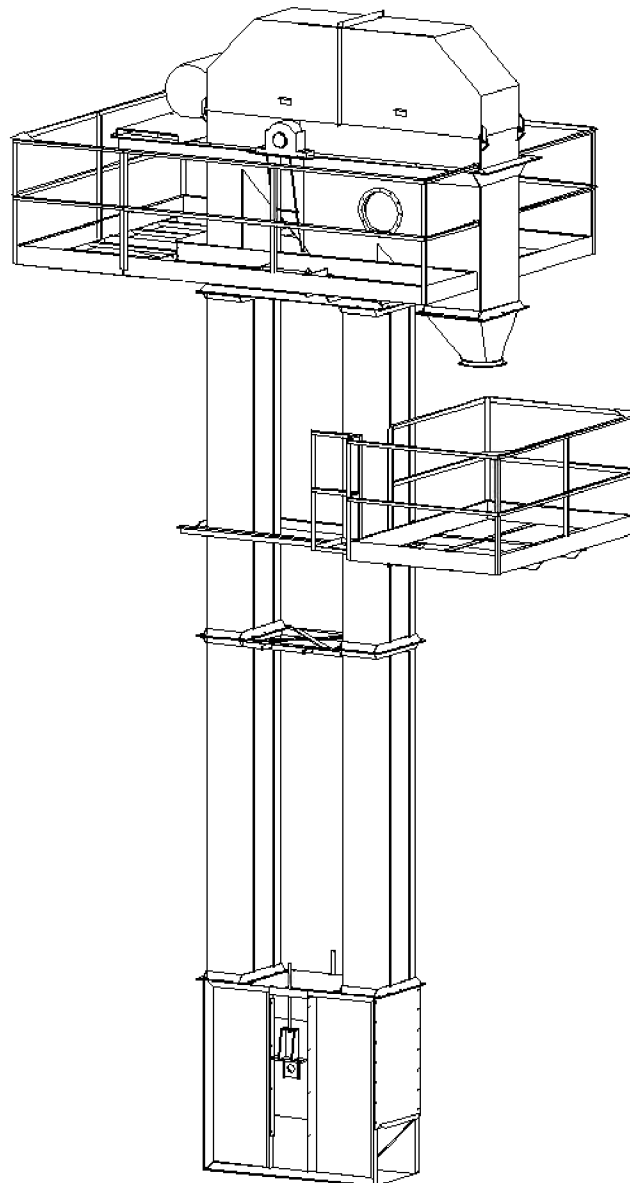




**BUCKET ELEVATOR  
ASSEMBLY AND SERVICE MANUAL  
MODELS 24-10 TO 60-36**



Serial No.	<input type="text"/>
Model	
24 - 10	_____
34 - 14	_____
43 - 24	_____
48 - 30	_____
54 - 36	_____
60 - 36	_____

Honeyville Metal, Inc.  
4200 S 900 W  
Topeka, IN 46571

Phone (800) 593-8377  
Fax (260) 593-2486  
[www.HoneyvilleMetal.com](http://www.HoneyvilleMetal.com)

**HONEYVILLE METAL, INC.  
BUCKET ELEVATOR**

**DEALER NAME:**

**MODEL:**

**SERIAL NO:**

**DISCHARGE:**

**BELT:**

**BUCKET SIZE:**

**HEAD BEARINGS:**

**BOOT BEARINGS:**

**BOOT TAKE-UP INFORMATION:**

When tightening the belt at boot adjustment, always be sure that the belt tracks and is centered in the elevator housing.

**DRIVE INFORMATION:**     HMI Supplied     Dealer/Customer Supplied

**Model Reducer:**

**Motor Sheave:**

**Driven Sheave:**

**Belts:**

**Motor:**



# WARNINGS AND SAFETY REMINDERS FOR SCREW, DRAG, AND BUCKET ELEVATOR CONVEYORS

CEMA Document: SC 2004-01

APPROVED FOR DISTRIBUTION BY THE SCREW CONVEYOR SECTION OF THE  
CONVEYOR EQUIPMENT MANUFACTURERS ASSOCIATION ("CEMA")

Honeyville Metal, Inc. ("HMI") does not install conveyors. It is the responsibility of the contractor, installer, owner and user to install, maintain and operate the conveyor, components and, conveyor assemblies in such a manner as to comply with the Williams-Steiger Occupational Safety and Health Act and with all state and local laws and ordinances and the American National Standards Institute (ANSI) B20.1 Safety Code.

In order to avoid an unsafe or hazardous condition, the assemblies or parts must be installed and operated in accordance with the following minimum provisions.

1. Conveyors shall not be operated unless all covers and/or guards for the conveyor and drive unit are in place. If the conveyor is to be opened for inspection cleaning, maintenance or observation, the electric power to the motor driving the conveyor must be LOCKED OUT in such a manner that the conveyor cannot be restarted by anyone; however remote from the area, until conveyor cover or guards and drive guards have been properly replaced.
2. If the conveyor must have an open housing as a condition of its use and application, the entire conveyor is then to be guarded by a railing or fence in accordance with ANSI standard B20.1. (Request current edition and addenda)
3. Feed openings for shovel, front loaders or other manual or mechanical equipment shall be constructed in such a way that the conveyor opening is covered by a grating. If the nature of the material is such that a grating cannot be used, then the exposed section of the conveyor is to be guarded by a railing or fence and there shall be a warning sign posted.
4. Do not attempt any maintenance or repairs of the conveyor until power has been LOCKED OUT.
5. Always operate conveyor in accordance with these instructions and

those contained on the caution labels affixed to the equipment.

6. Do not place hands, feet, or any part of your body, in the conveyor.
7. Never walk on conveyor covers, grating or guards.
8. Do not use conveyor for any purpose other than that for which it was intended.
9. Do not poke or prod material into the conveyor with a bar or stick inserted through the openings.
10. Keep area around conveyor drive and control station free of debris and obstacles.
11. Eliminate all sources of stored energy (materials or devices that could cause conveyor components to move without power applied) before opening the conveyor.
12. Do not attempt to clear a jammed conveyor until power has been LOCKED OUT.
13. Do not attempt field modification of conveyor or components.
14. Conveyors are not normally manufactured or designed to handle materials that are hazardous to personnel. These materials which are hazardous include those that are explosive, flammable, toxic or otherwise dangerous to personnel. Conveyors may be designed to handle these materials. Conveyors are not manufactured or designed to comply with local, state or federal codes for unfired pressure vessels. If hazardous materials are to be conveyed or if the conveyor is to be subjected to internal or external pressure, manufacturer should be consulted prior to any modifications.

CEMA and HMI insist that disconnecting and locking out the power to the motor driving the unit provides the only real protection against injury. Secondary safety devices are available; however, the decision as to their need and the type required must be made by the owner-assembler as we have no information regarding plant wiring, plant environment, the interlocking of the

screw conveyor with other equipment, extent of plant automation, etc. Other devices should not be used as a substitute for locking out the power prior to removing guards or covers. We caution that use of the secondary devices may cause employees to develop a false sense of security and fail to lock out power before removing covers or guards. This could result in a serious injury should the secondary device fail or malfunction.

There are many kinds of electrical devices for interlocking of conveyors and conveyor systems such that if one conveyor in a system or process is stopped other equipment feeding it or following it can also be automatically stopped.

Electrical controls, machinery guards, railings, walkways, arrangement of installation, training of personnel, etc., are necessary ingredients for a safe working place. It is the responsibility of the contractor, installer, owner and user to supplement the materials and services furnished with these necessary items to make the conveyor installation comply with the law and accepted standards.

Conveyor inlet and discharge openings are designed to connect to other equipment or machinery so that the flow of material into and out of the conveyor is completely enclosed.

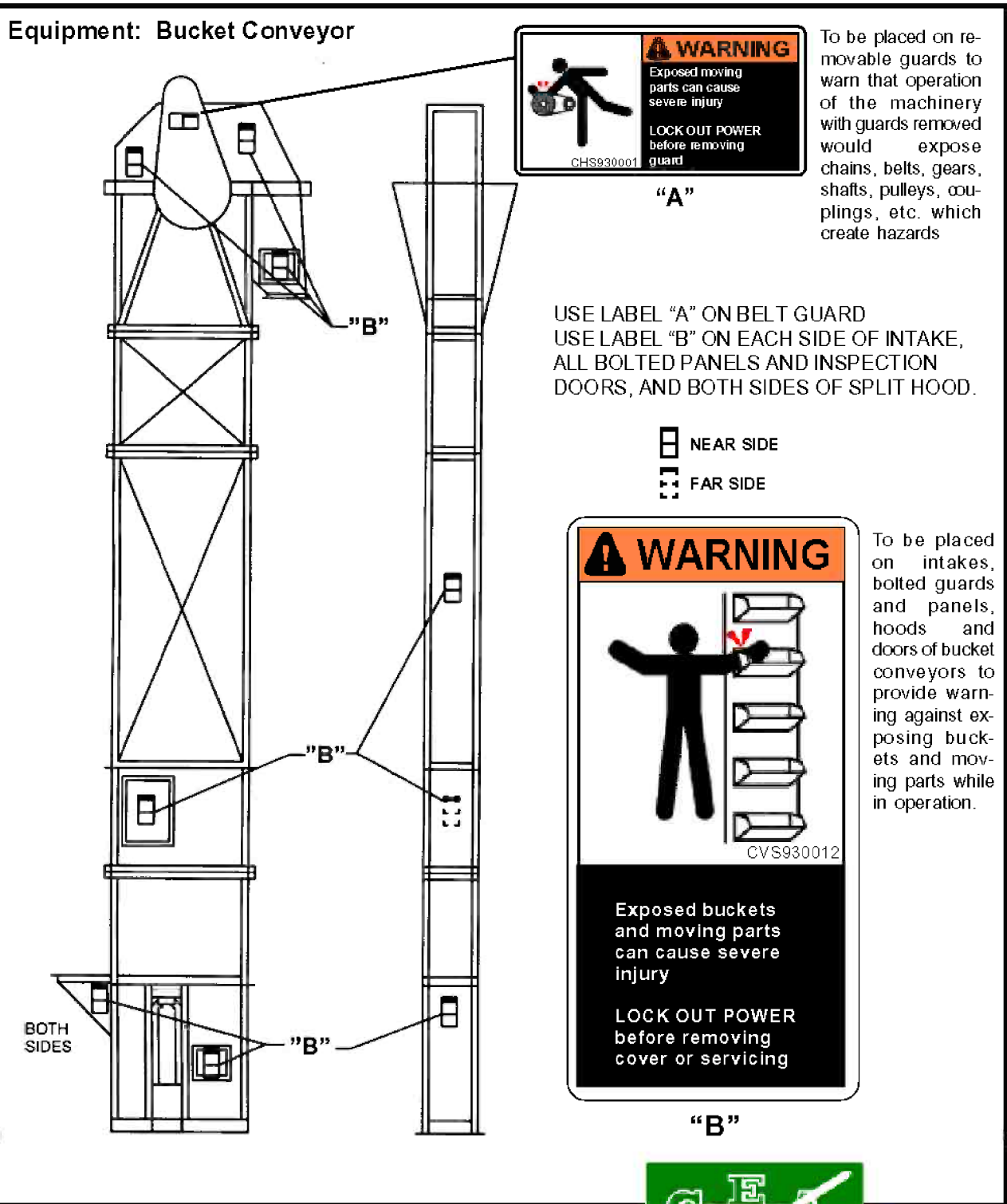
One or more warning labels should be visible on conveyor housings, conveyor covers and elevator housings. If the labels attached to the equipment become illegible, please order replacement warning labels from HMI or CEMA.

CEMA has produced an audio-visual presentation entitled "Safe Operation of Screw Conveyors, Drag Conveyors, and Bucket Elevators." CEMA and HMI encourage the acquisition and use of this source of safety information to supplement your safety program.

NOTICE: This document is provided by CEMA as a service to the industry in the interest of promoting safety. It is advisory only and it is not a substitute for a thorough safety program. Users should consult with qualified engineers and other safety professionals. CEMA makes no representations or warranties, either expressed or implied, and the users of this document assume full responsibility for the safe design and operation of equipment.

# CEMA Safety Label Placement Guidelines



Equipment: Bucket Conveyor

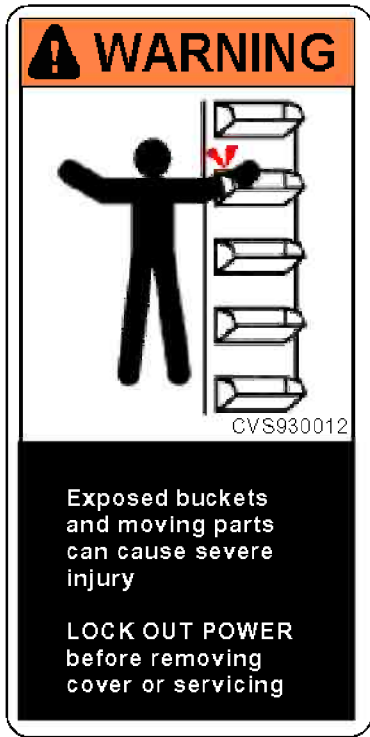


"A"

To be placed on removable guards to warn that operation of the machinery with guards removed would expose chains, belts, gears, shafts, pulleys, couplings, etc. which create hazards

USE LABEL "A" ON BELT GUARD  
USE LABEL "B" ON EACH SIDE OF INTAKE, ALL BOLTED PANELS AND INSPECTION DOORS, AND BOTH SIDES OF SPLIT HOOD.

-  NEAR SIDE
-  FAR SIDE



"B"

To be placed on intakes, bolted guards and panels, hoods and doors of bucket conveyors to provide warning against exposing buckets and moving parts while in operation.



Note: Labels alone do not substitute for a thorough in-plant safety training program centered on the hazards associated with operating your installed equipment. Contact CEMA ([www.cemanet.org](http://www.cemanet.org)) or Honeyville Metal, Inc. for replacement labels.

## ELEVATOR INSTALLATION INSTRUCTIONS

Honeyville Metal, Inc. ("HMI") offers you one of the finest Bucket Elevators in the industry. It has been carefully jig built using only the finest material and quality workmanship. Properly installed, your HMI Elevator should provide you with years of service with a minimal amount of required maintenance.

Following are some basic installation tips:

### I. Inspection upon Delivery

- HMI Elevators can either be picked up uncrated or be shipped by HMI truck or commercial truck transport. If your elevator was picked up by your own truck, you will have made certain that the load was properly secured to insure that no parts were damaged. If your unit was shipped via, commercial transport, be sure to examine the shipment carefully for damaged parts. Also make certain that all the parts that are listed on the delivery receipt are received. If a damaged part or shortage is noted please contact HMI or the delivering truck driver immediately so that a claim may be filed.

### II. Check of Components

- All HMI Elevators are shipped in a maximum of 10' sections. Belting is punched for the proper bucket spacing and rolled. Buckets are normally nested in a box. Head and Boot are usually shipped as individual units.
- Now that you have located all the major components, there may also be an additional shipment of accessories which you ordered. This may include such items as motors, distributors, ladders, service platforms, elbows, flanges, pipe, valves, pit augers, hoppers, and/or safety cage.

### III. Advise of any Shortages

- Although every effort is made to see that your order is shipped complete and in all the correct sizes, mistakes do occur. If you have a shortage or mistake on your order, please accept our apology and notify us at once and we will do everything possible to correct the situation.

### IV. Base Preparation

- On the smaller models, only a minimal amount of preparation is required. Most of these units may be bolted onto any reasonably level floor or solid base. However, larger units as well as taller ones will require a concrete base or foundation.
- If the Elevator base is to be mounted to a basement floor or is installed in a pit where excessive moisture is present, it is recommended that a sump pump or tile is installed to insure a dry, accessible and safe Elevator boot area.
- Base plate drawings are available for any size Elevator at your request. These drawings show the size and hole spacing of the Elevator boot flange. Usually four (4) hold down or anchor bolts are adequate for any size unit.
- Anchor bolts may either be placed in the cement of the boot foundation or holes may be drilled into cured concrete and draw tight anchor bolts placed into position.
- When a Boot pit is being planned, HMI recommends that adequate space be allowed around the base (18" to 36" in all directions) for servicing and cleanout.

## V. Suggestions For Assembly

- Assembly bolts and nuts are supplied for connecting the legging sections.
- There are a number of ways to erect the Elevator. The shorter units may be assembled, then raised to an upright position and then fastened to some type of support.
- Inside units are usually stacked, that is, the boot section is set in place and then each section is stacked onto the preceding one with the head section being installed last. Guy wires or cables are then attached to the building structure.
- If the above method is used, most people set scaffolding around the unit as it is being stacked and the lifting is done by crane.
- The stacking method (above) is most commonly used when erecting an outside unit. A crane with an adequate reach is set at a proper position to insure a safe working area and then the head section is attached with each legging section being fastened to the preceding one as the head is raised. If so installed make certain that the head is properly braced where the crane is attached so as to eliminate "Swinging".
- Yet another method is to lift the head section by the use of a chain hoist or block and tackle and then hanging each section onto the one above.
- A method which is becoming more and more common with 40' or shorter units is to assemble the elevator complete on the ground, even going so far as to the installation of the belt, buckets, ladder, service platform, and valves. This complete unit is then tilted up into position with a crane. Although this appears to be a simple method, it needs to be done with extreme care to avoid damage to the Elevator. If the crane is not properly attached at several points on the Elevator, legging can be bent by careless or inexperienced crane handling.
- HMI cannot accept responsibility for any damage to the Elevator during erection even if the above methods are used.

## VI. Elevator Bracing

- Small capacity and shorter units usually require very little bracing. Elevators installed inside a building or along-side some kind of structure can usually be braced to the structure.
- HMI Elevators are self-supporting; however, they do require guy wires to prevent toppling by the prevailing winds.
- Guy wires are normally attached to the taller units for support in 3 or 4 directions and are most times attached at or near the service platform. The other ends of the cables are attached to a building or in most cases, to an anchor embedded in the ground. This anchor should be far enough away from the Elevator so that the guy wires extend upwards approximately 45 degrees. Turnbuckles should be used between the anchor post and the end of each guy wire to take up extra slack. It is important that the guy wires be snug but not tight. Too much pressure on the guy wires may damage your Elevator.
- Taller units may require more than one set of guy wires. Additional sets may be attached at 40'-0" intervals.
- Standard guy wire material which HMI normally uses is 3/8" or 5/16" Aircraft galvanized steel cable.

## VII. Belt and Bucket Installation

- As in the actual erection of the Elevator, there are also many techniques for installing the belting and buckets. On all HMI models, the belting is pre-punched for the proper bucket spacing, and then rolled for ease of handling and shipping.
- The first step prior to installing the belt is to turn the take-up bolts on each side of the boot so that the maximum amount of travel is available. Correct alignment of the head and boot pulley is important since this will prevent edge wear and rubbing of the belts and buckets.
- If an old belt is being replaced, simply attach one end of the new belt to one end of the old belt and pull the new belt into position by taking the old belt out of the Elevator.
- One method of belting installation in a new Elevator is to place a clamp on the end of the belt and use a cable or rope to pull the belt into place. Make sure that the entire belt width is gripped securely.
- Another method is to install all the buckets onto the belt and simply use a crane to lift the belt above the head to drop the belt down on each side of the head pulley.
- Once the belt is in position, it is necessary to join the two ends of the belt together. Place a belt tightener or take-up unit on each end of the belt and draw it together.
- A standard lap joint is recommended by HMI. Overlap the ends of the belt approx. 3 to 4 feet and stretch the belt snug and let it remain overnight. Stretch the belt again before joining the ends permanently. Permitting the belt to remain under tension tends to distribute the stress uniformly throughout the entire belt.
- If your Elevator has a head pulley of 10" diameter, HMI supplies a special clamp for joining the ends of the belt.
- If the buckets were not installed on the belt before inserting the belt into the Elevator, this is the next job.
- There is one inspection door on the first legging section above the boot. This is the access point for installing the buckets. It is recommended that every fifth bucket be put on the belt and rotated until the starting point is reached. Continue this rotation until all the buckets have been installed onto the belt. If every bucket is installed without staggering, the belt might become too heavy to rotate.

## VIII. Attaching the Accessories

- Accessories such as hoppers, valves, and motors on small units are no problem, bolts for attachment of all accessories, are included with the Elevator shipment.
- A common way of installing the accessories, if the Elevator is to be assembled on the ground, is to also install the accessories prior to raising it with the crane. This includes ladder, service platform, valves and even motors.
- If the stacking method is used in erection, it is advised that the ladder and safety cage be installed with each legging section (10'). The remaining accessories such as motors, and misc. parts should be lifted into place with a crane.
- Pipe is usually the last thing to be installed. This is usually raised with the crane or ropes. Angle flanges are supplied with the pipe along with quick clamps so that a minimum amount of welding is required.

## IX. Final Inspection prior to Operation

Now that you have successfully erected your HMI Elevator it is advisable that you inspect and check the following items before operation.

1. Check all the bucket bolts to assure that they are tight.
2. Check motor drive V belts to assure that they are snug and in line.
3. Check all sprockets and roller chain for alignment.
4. Check the motor wiring to assure proper rotation of the belt.
5. Check for any obstruction extending inside of the legging sections.
6. Check to see that the buckets do not rub the inside of the legging at any point in the length of travel. Belt alignment can be adjusted by tightening one of the boot take-ups.
7. Tighten belt to prevent slipping on the head pulley.
8. Check the oil level in all gearboxes.
9. Once the motor is wired with the proper overload switch, the unit is ready for operation.

## ELEVATOR OPERATION AND MAINTENANCE

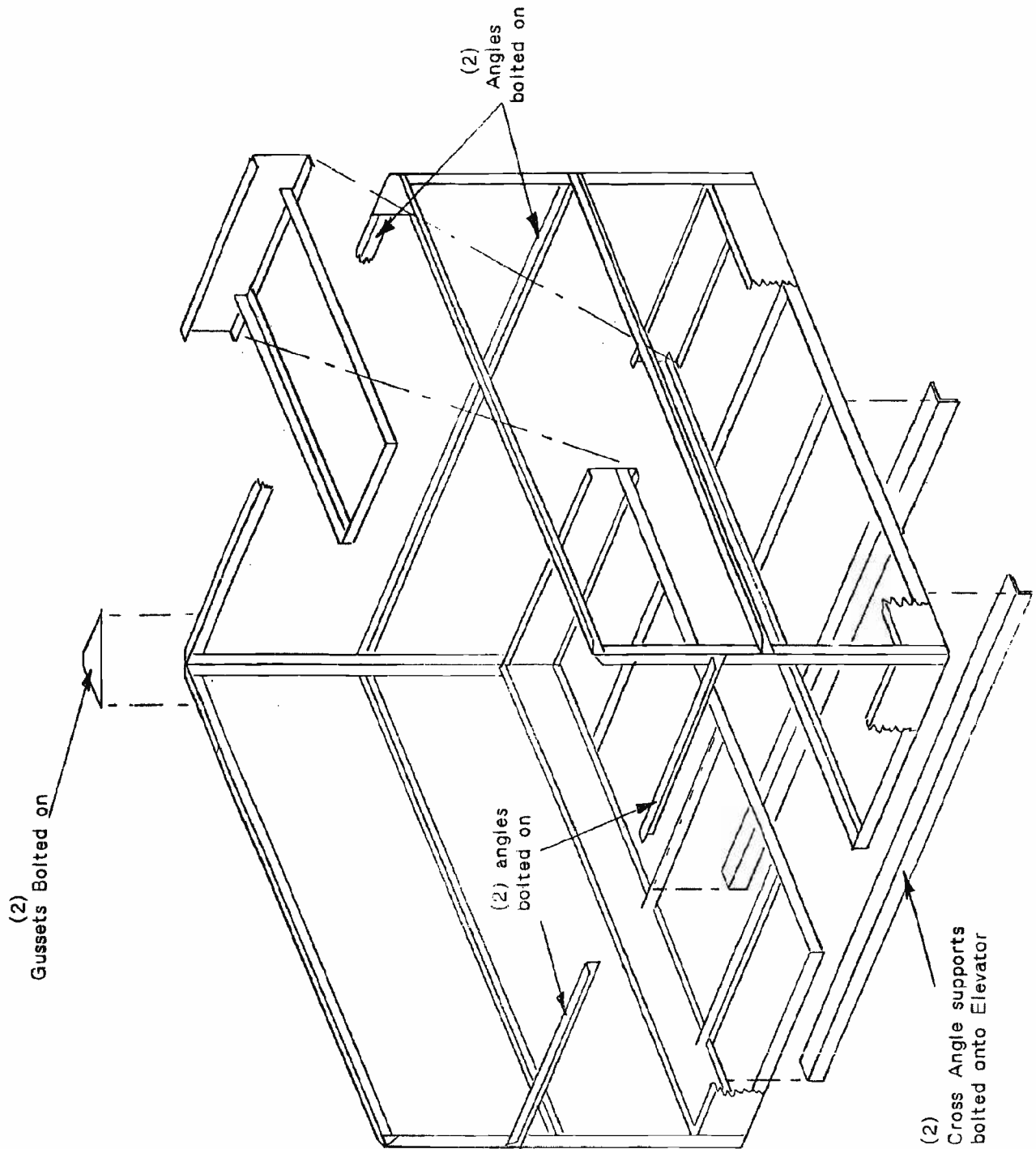
Following are several pointers that will enable you to get the maximum service from your Elevator:

1. Check bucket bolts after a few days of operation and tighten nuts as required. On new installations, bolt heads will seat into the belt after a few days of operation thus permitting nuts to loosen.
2. Inspect again after three or four weeks of operation to see if nuts have loosened. Continue this inspection at the same interval on units operated continuously.
3. Belt should always be sufficiently tightened to prevent slippage on the Elevator Head pulley. Frequent inspection for belt tension should be made during the first 30 to 90 days of operation. The largest amount of belt stretch will occur during this period.
4. Belt tension is increased by turning down the boot take-up bolts.
5. When checking the buckets for tightness, be sure to examine the joint bolts and tighten, if required.
6. If the Elevator belt tends to run to one side of the pulley during the initial start up, adjust the boot take ups one at a time until the belt runs to the center of the boot pulley.
7. Lubricate all bearings after four to six weeks of continuous operation. Do not over lubricate as this tends to force the grease seals.
8. Lubricate all motors as recommended by the manufacturer.
9. Lubricate all gear reducers according to the manufacturer's specifications, taking into account the range of ambient temperatures the gear reducer operates in. Honeyville provides gear reducers with the following lubricants: Gear Reducers without internal back stop mechanisms are lubricated with ISO Viscosity Grade 220 Synthetic EP (Extreme Pressure) oil, and Gear Reducers with internal back stop mechanisms are lubricated with ISO Viscosity Grade 220 Synthetic non-EP (non-Extreme Pressure) oil.
10. If your elevator has a jack shaft, it is advisable to oil the roller chain which runs from the jack shaft to the head shaft every six months of operation.
11. Be sure that proper alignment is maintained between the jack shaft sprocket and the head shaft sprocket. These are aligned during construction, but set screws could loosen during operation permitting one sprocket to move on the shaft. This misalignment causes wear on the chain and on the sprocket teeth.
12. Proper tension on the roller chain is important. This is properly adjusted during construction, but during use and wear the tension may change. Operating the Elevator with too little tension on the chain will cause it to "climb" on the teeth resulting in excessive wear.
13. On farm type installations, which are used seasonally, it is advisable to inspect the elevator prior to heavy use.
14. On installations that require the Elevator boot to be in direct exposure to extreme weather conditions, it is recommended that the take up bolts be liberally treated with lubricating oil or rust preventative. This will make the take-up operate more easily when necessary.
15. It is recommended that water, wet dust, and chaff should not be permitted to collect around the base of the Elevator in the pit. Although HMI constructs the Elevator boot of hot dipped heavy gauge steel, the above conditions will in time cause the boot and lower sections of the structure to rust.

# MAIN PLATFORM ASSEMBLY

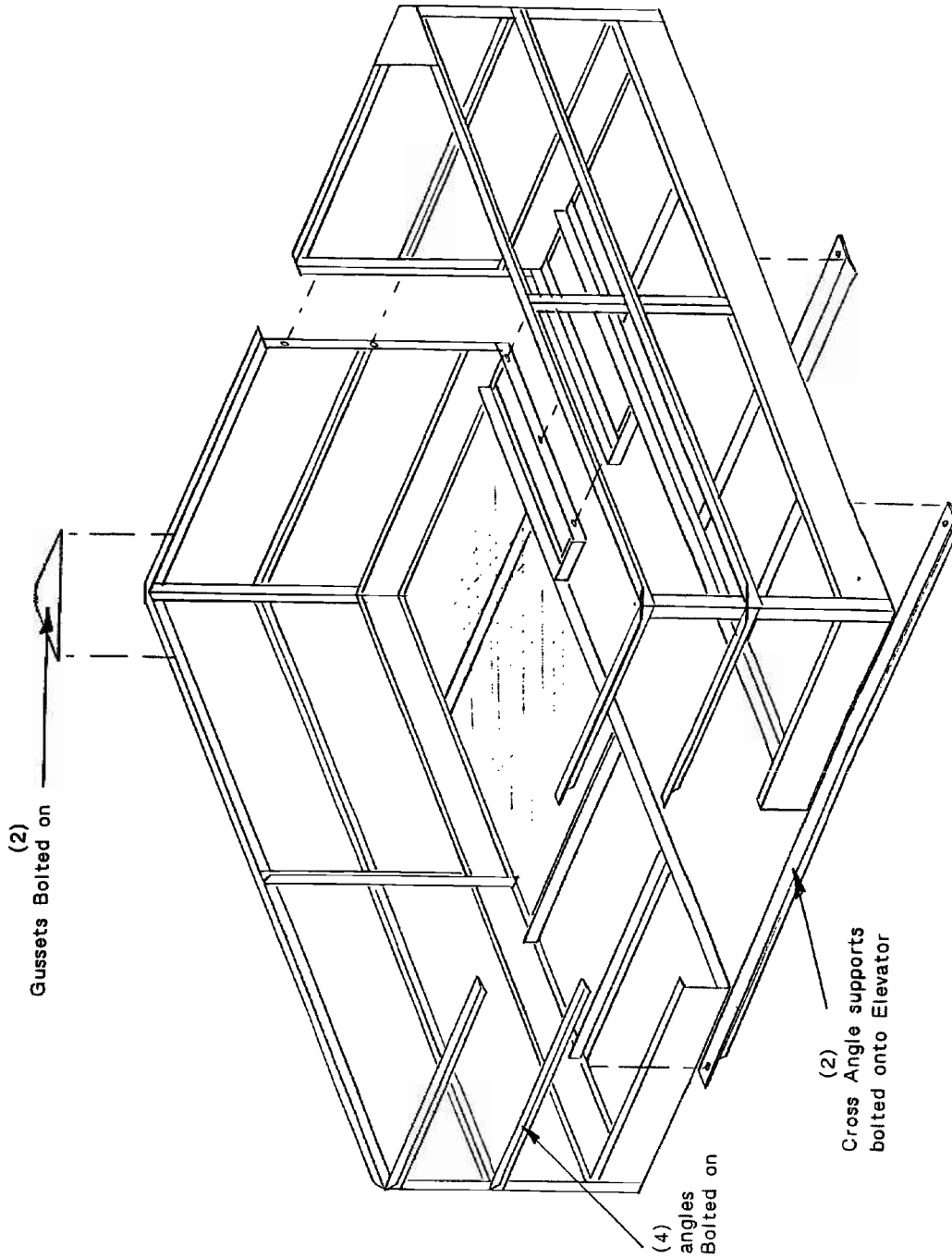
Models 34-14, 43-24, 48-30

Note: The main platform for Model 24-10 is shipped assembled.

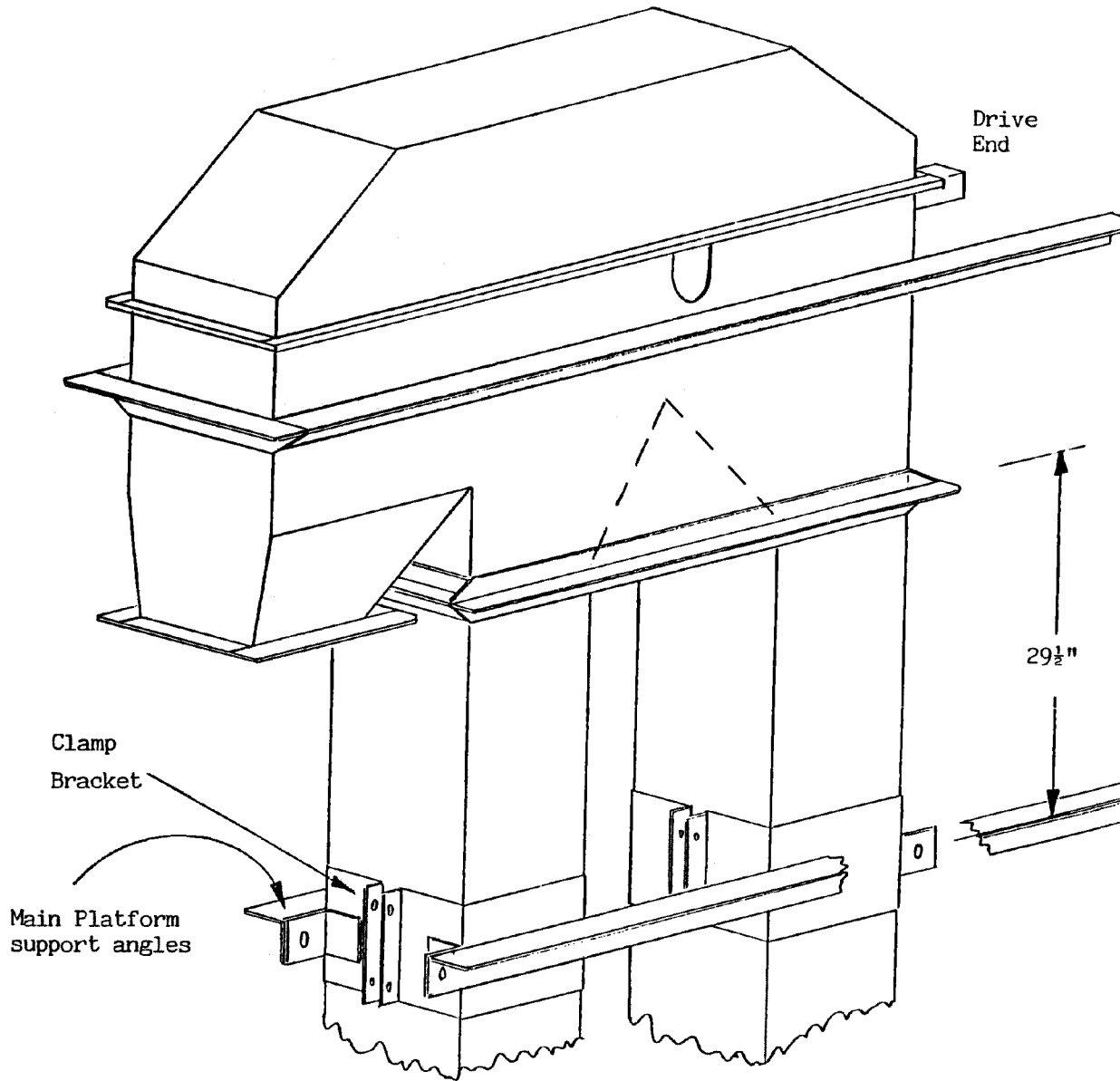


# MAIN PLATFORM ASSEMBLY

Models 54-36, 60-36

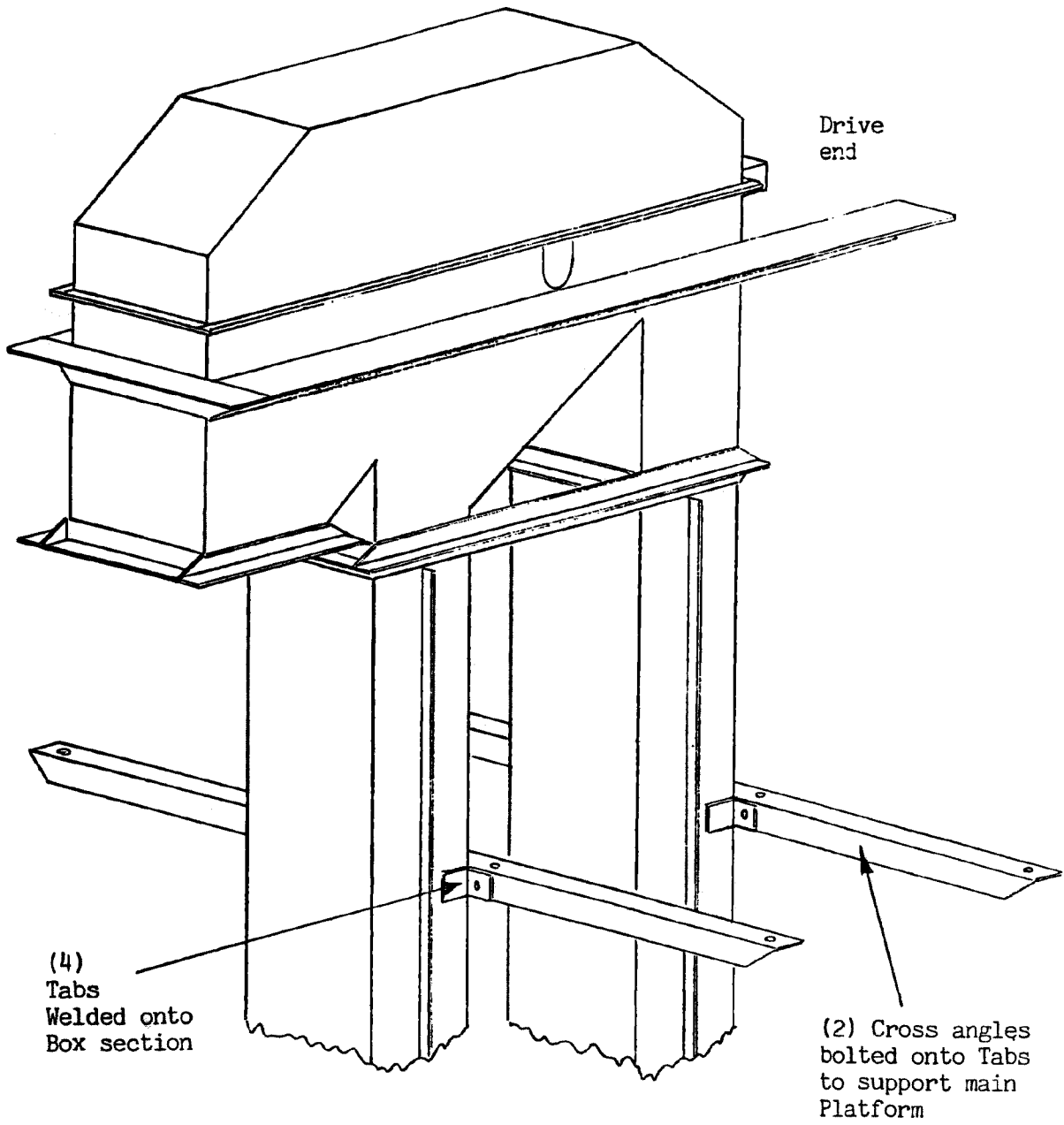


### MAIN PLATFORM MOUNTING DETAIL Model 24-10



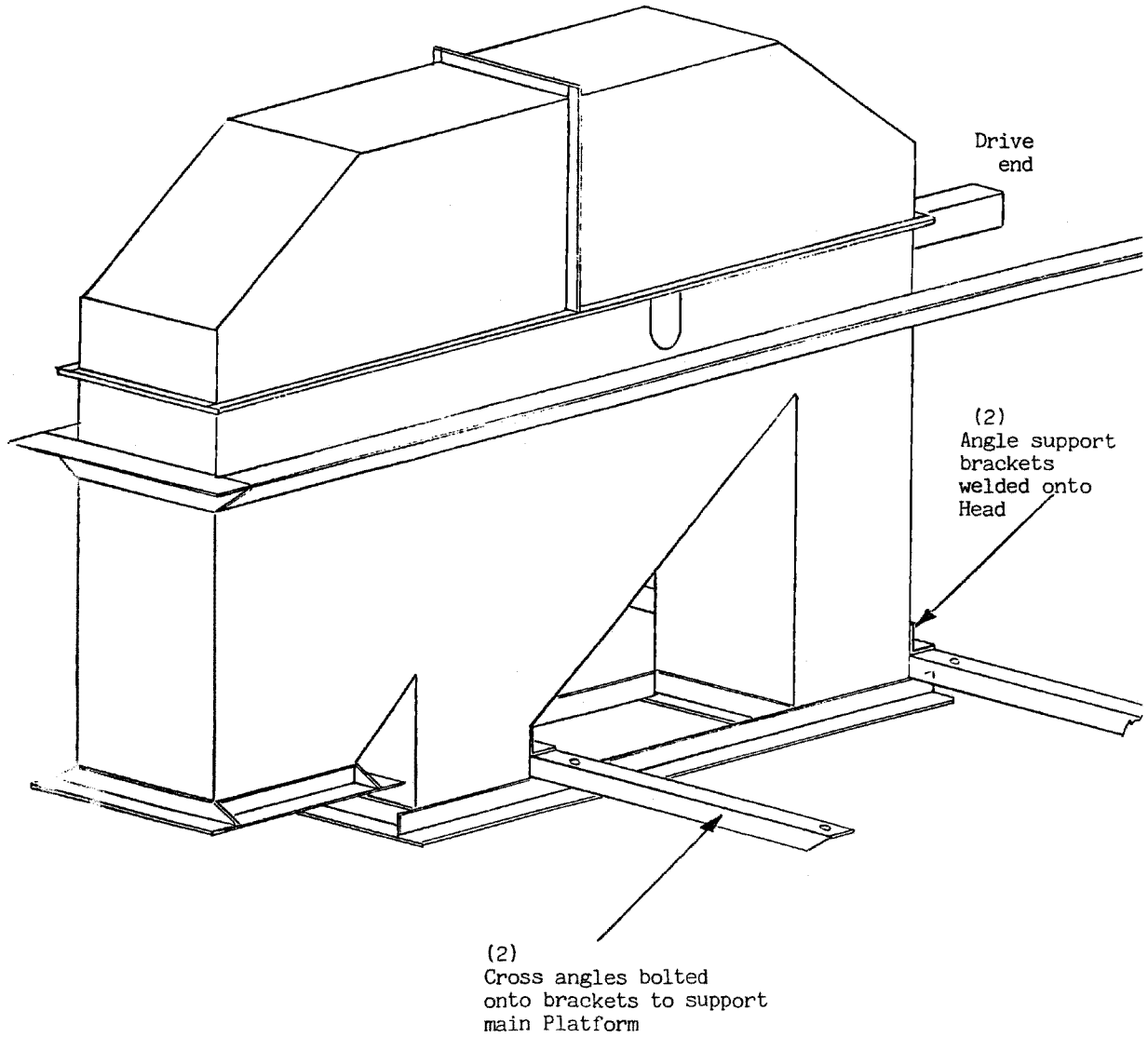
## MAIN PLATFORM MOUNTING DETAIL

Model 34-14



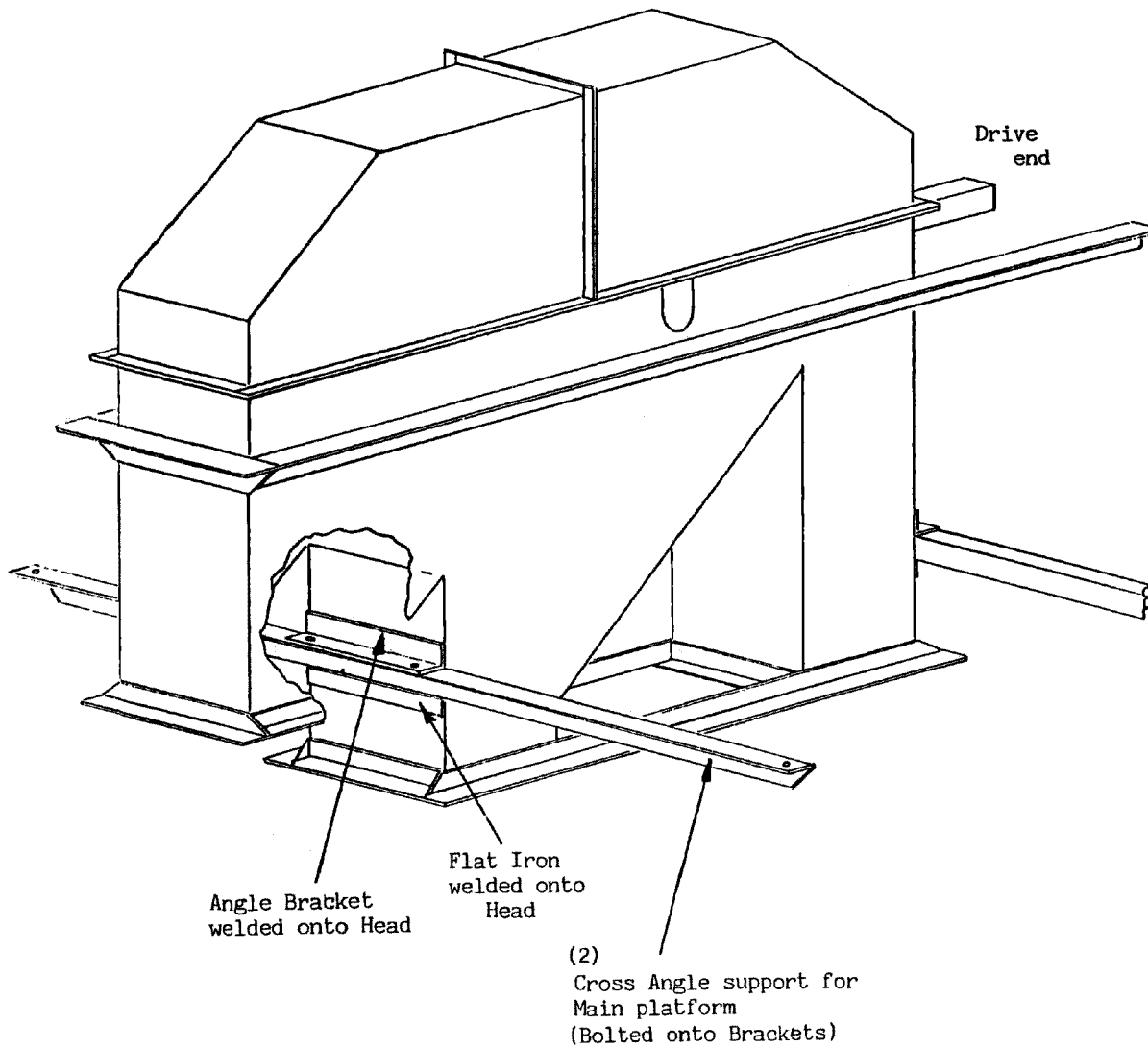
## MAIN PLATFORM MOUNTING DETAIL

Models 43-24, 48-30



## MAIN PLATFORM MOUNTING DETAIL

Models 54-36, 60-36



## DISTRIBUTOR PLATFORM BRACKETS

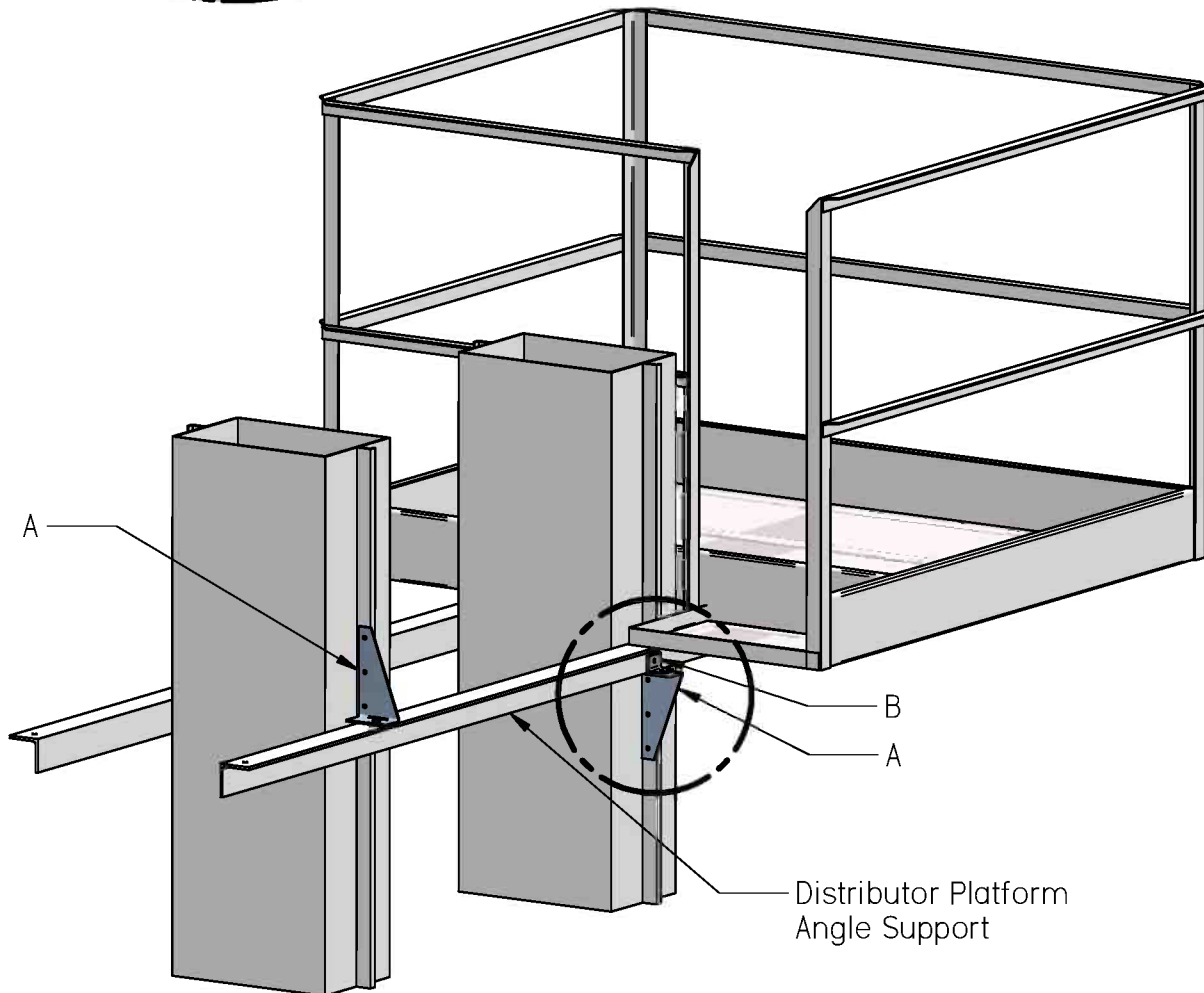
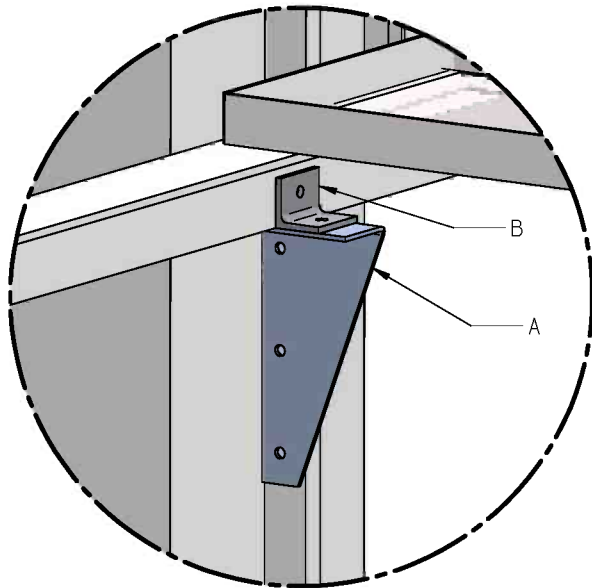
**A. Main Bracket** – 2 Lefts and 2 Rights per set

**B. Transfer Bracket** – 2 per set (only on the platform side)

### Installation Notes:

- On bolt together trunking sections, the Main Bracket needs to be mounted on the opposite side of the trunk section seam
- 2 of the 3 holes for bolting the Main Bracket onto the trunking must be drilled in the field
- The holes to mount the Main Bracket and Transfer Bracket onto the Distributor Platform Angle Support must be drilled in the field

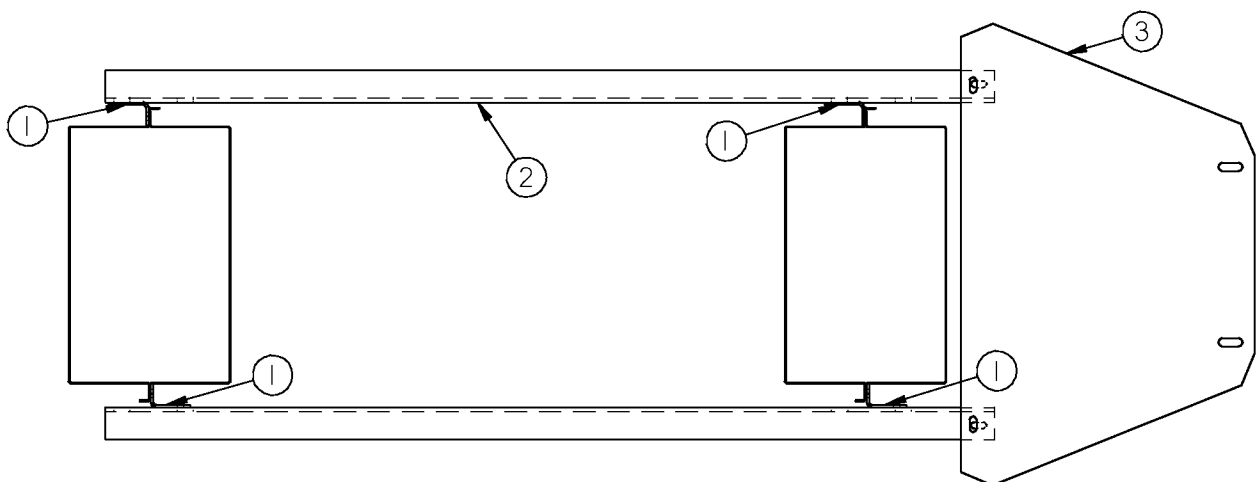
**Model 24-10** Distributor platform brackets are typ. to main platform brackets



### DISTRIBUTOR BACK SUPPORT

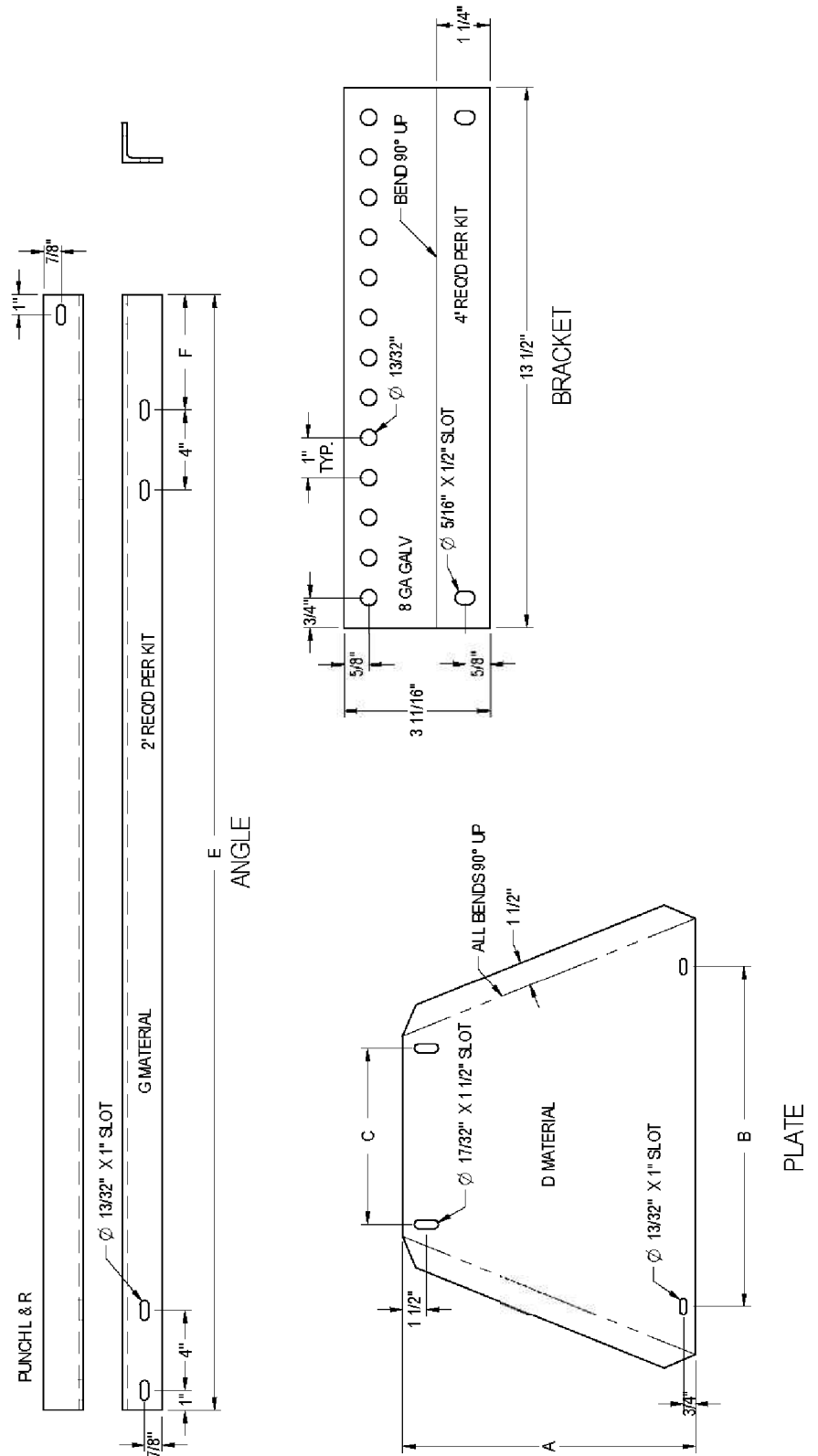


Item	Qty	Description
1	4	Trunk Bracket
2	2	Back Support Angle - L&R
3	1	Back Support Plate

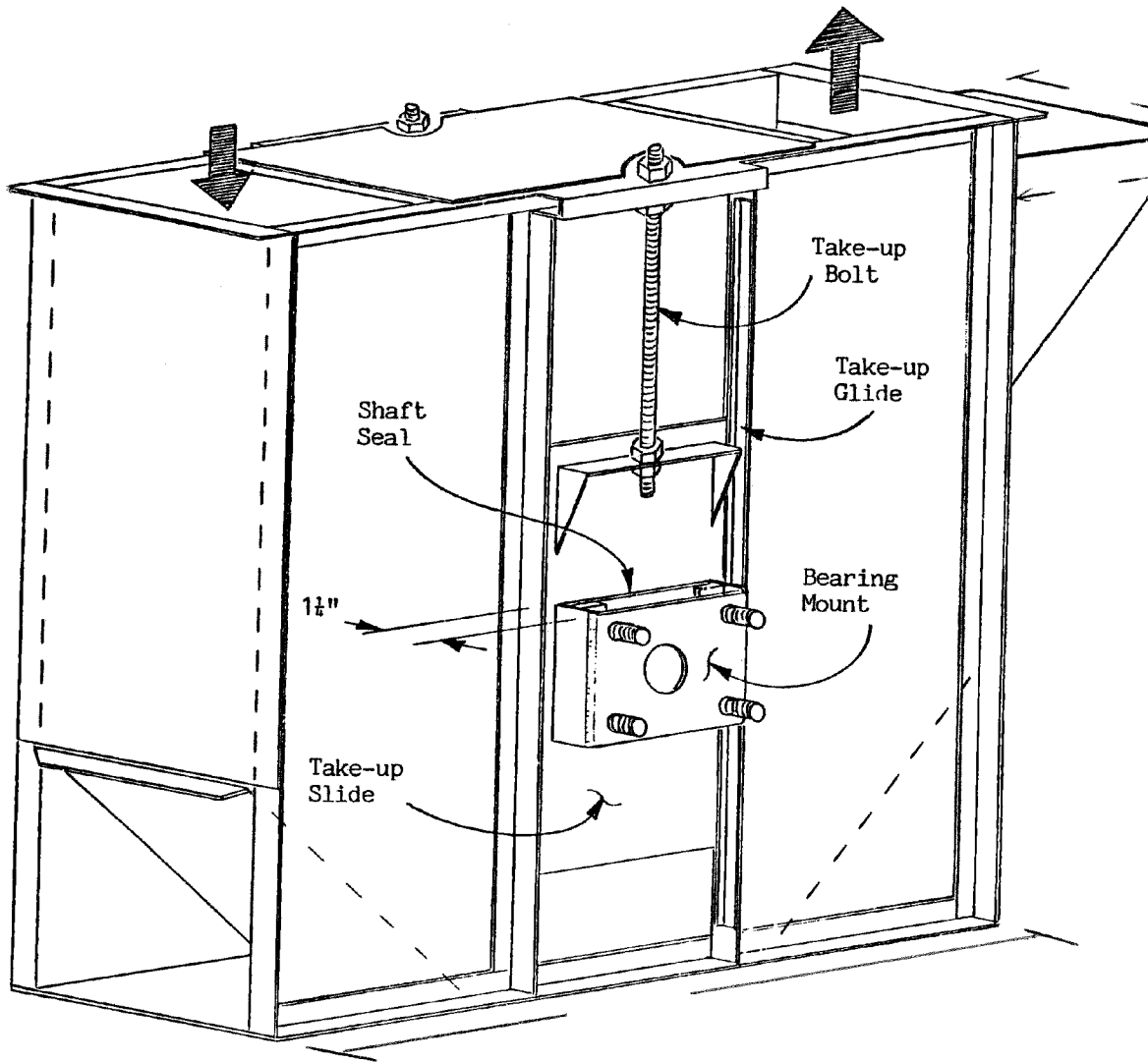


## DISTRIBUTOR BACK SUPPORT

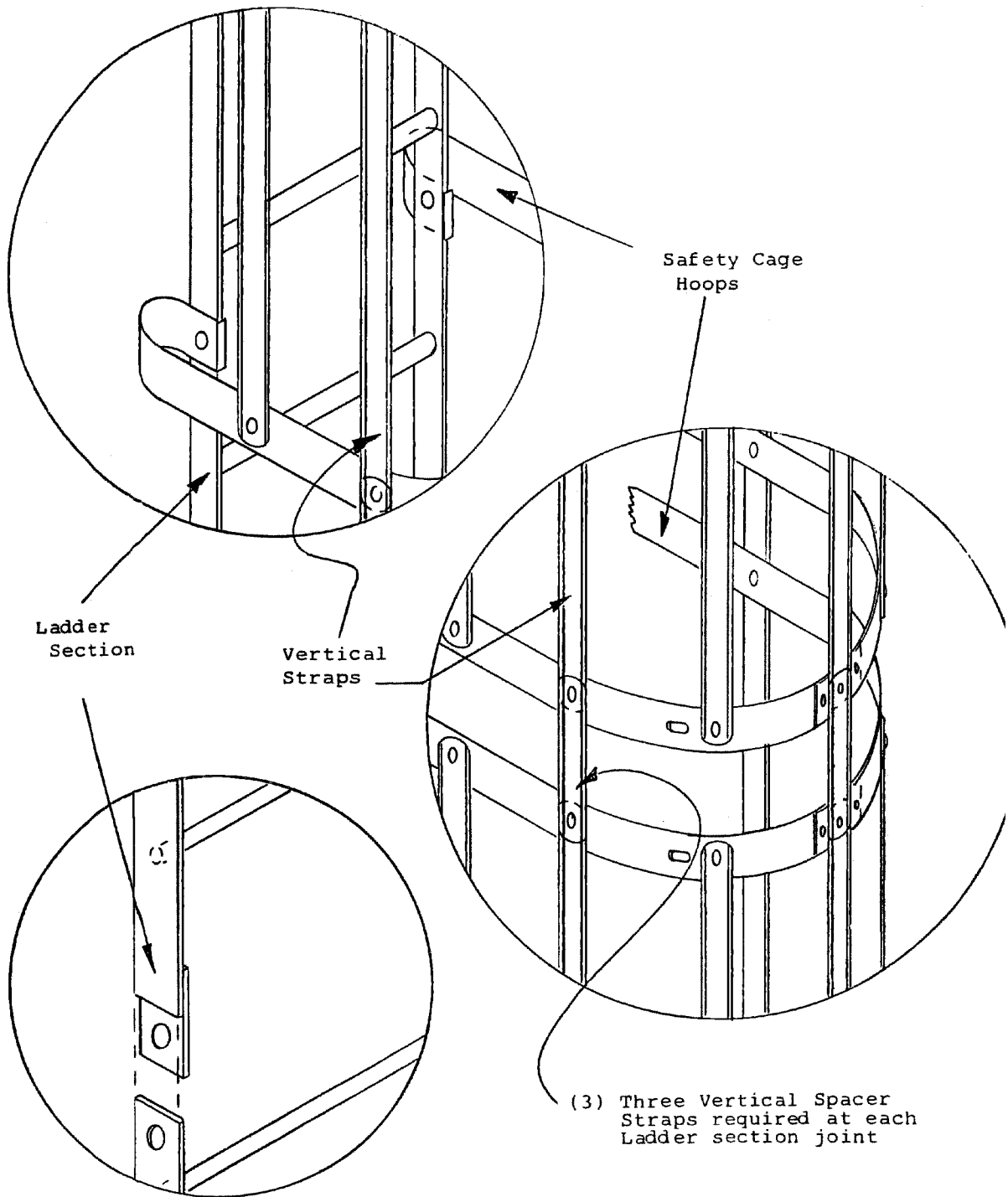
Elevator	Distributor	A	B	C	D	E	F	G	Note
34-14	6"	1 1/2"	15 1/4"	7"	10 Ga Galv	30"	4 1/2"	2 x 2 x 1/4 Galv Angle	No bends on Plate
34-14	8"	3 5/8"	15 1/4"	9"	10 Ga Galv	30"	4 1/2"	2 x 2 x 1/4 Galv Angle	Discharge offset 4"
43-24	8"	5 5/8"	17 1/4"	9"	10 Ga Galv	43 3/4"	5 3/4"	2 x 2 x 1/4 Galv Angle	
43-24	10"	3 1/8"	17 1/4"	11"	10 Ga Galv	43 3/4"	5 3/4"	2 x 2 x 1/4 Galv Angle	
48-30	8"	13 5/8"	19 1/4"	9"	10 Ga Galv	49 3/4"	5 3/4"	2 x 2 x 1/4 Galv Angle	
48-30	10"	11 1/8"	19 1/4"	11"	10 Ga Galv	49 3/4"	5 3/4"	2 x 2 x 1/4 Galv Angle	
48-30	12"	8 5/8"	19 1/4"	13"	10 Ga Galv	49 3/4"	5 3/4"	2 x 2 x 1/4 Galv Angle	
54-36	8"	20 7/8"	21 1/4"	9"	10 Ga Galv	55 3/4"	5 3/4"	2 x 2 x 1/4 Galv Angle	
54-36	10"	18 3/8"	21 1/4"	11"	10 Ga Galv	55 3/4"	5 3/4"	2 x 2 x 1/4 Galv Angle	
54-36	12"	15 7/8"	21 1/4"	13"	10 Ga Galv	55 3/4"	5 3/4"	2 x 2 x 1/4 Galv Angle	
60-36	10"	18 3/8"	25 1/4"	11"	10 Ga Galv	58 3/4"	6 3/4"	2 x 2 x 1/4 Galv Angle	
60-36	12"	15 7/8"	25 1/4"	13"	10 Ga Galv	58 3/4"	6 3/4"	2 x 2 x 1/4 Galv Angle	
60-36	14"	13 3/8"	25 1/4"	15"	10 Ga Galv	58 3/4"	6 3/4"	2 x 2 x 1/4 Galv Angle	



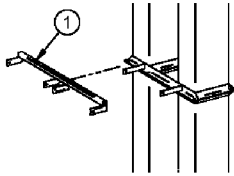
## ELEVATOR BOOT DETAIL



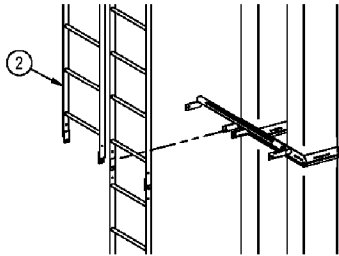
## LADDER AND SAFETY CAGE ASSEMBLY DETAIL



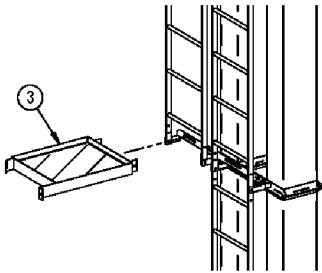
## LADDER TRANSFER PLATFORM ASSEMBLY



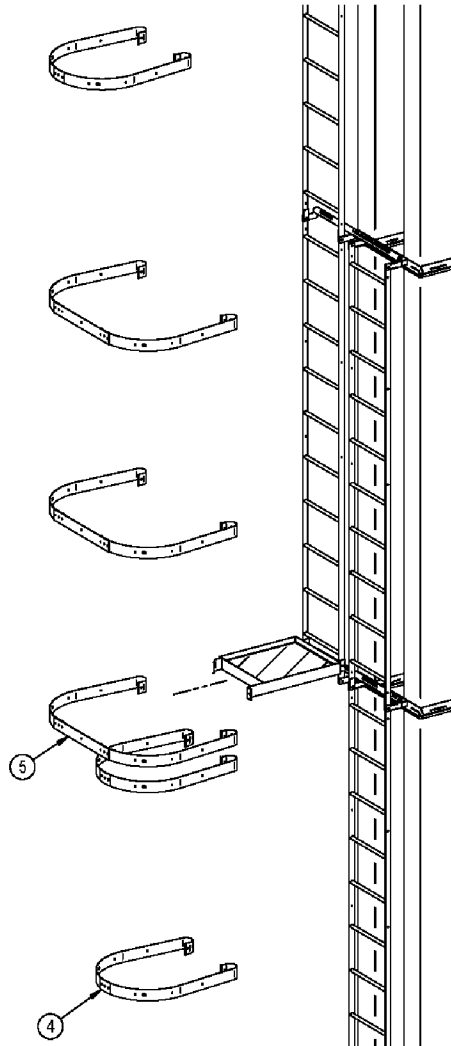
STEP 1



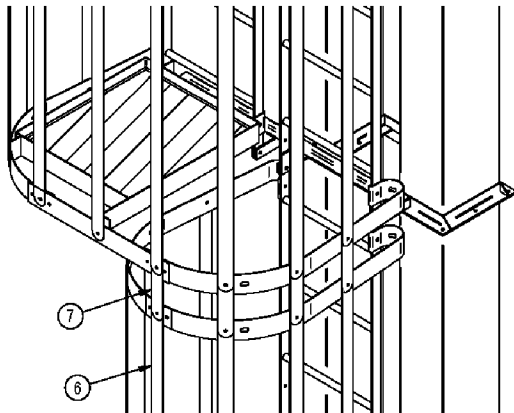
STEP 2



STEP 3



STEP 4



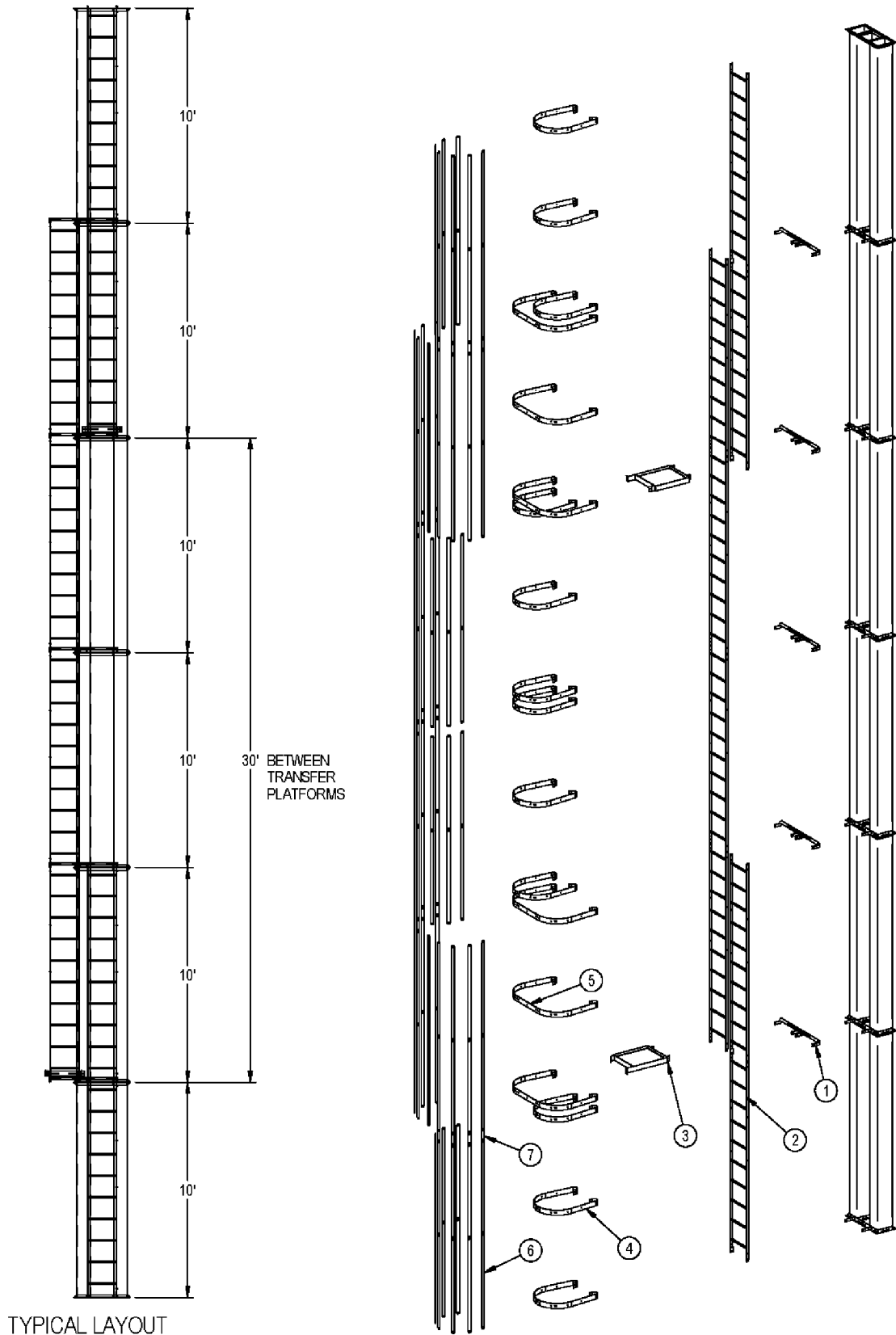
STEP 5

Item	Ladder Height				Description
	40' - 60'	70' - 90'	100' - 120'	130' - 150'	
1	5†	5†	10†	10†	Offset Ladder Bracket
2	1	2	3	4	10' Ladder
3	1	2	3	4	Reversible Transfer Platform
4	0	0	0	0	Hoop Assembly
5	3	6	9	12	Hoop Expander
6	4	8	12	16	Standard Strap (58½")
7	-3	-6	-9	-12	Connector Strap (9")

Note: Parts listed are in addition to Standard Ladder parts.

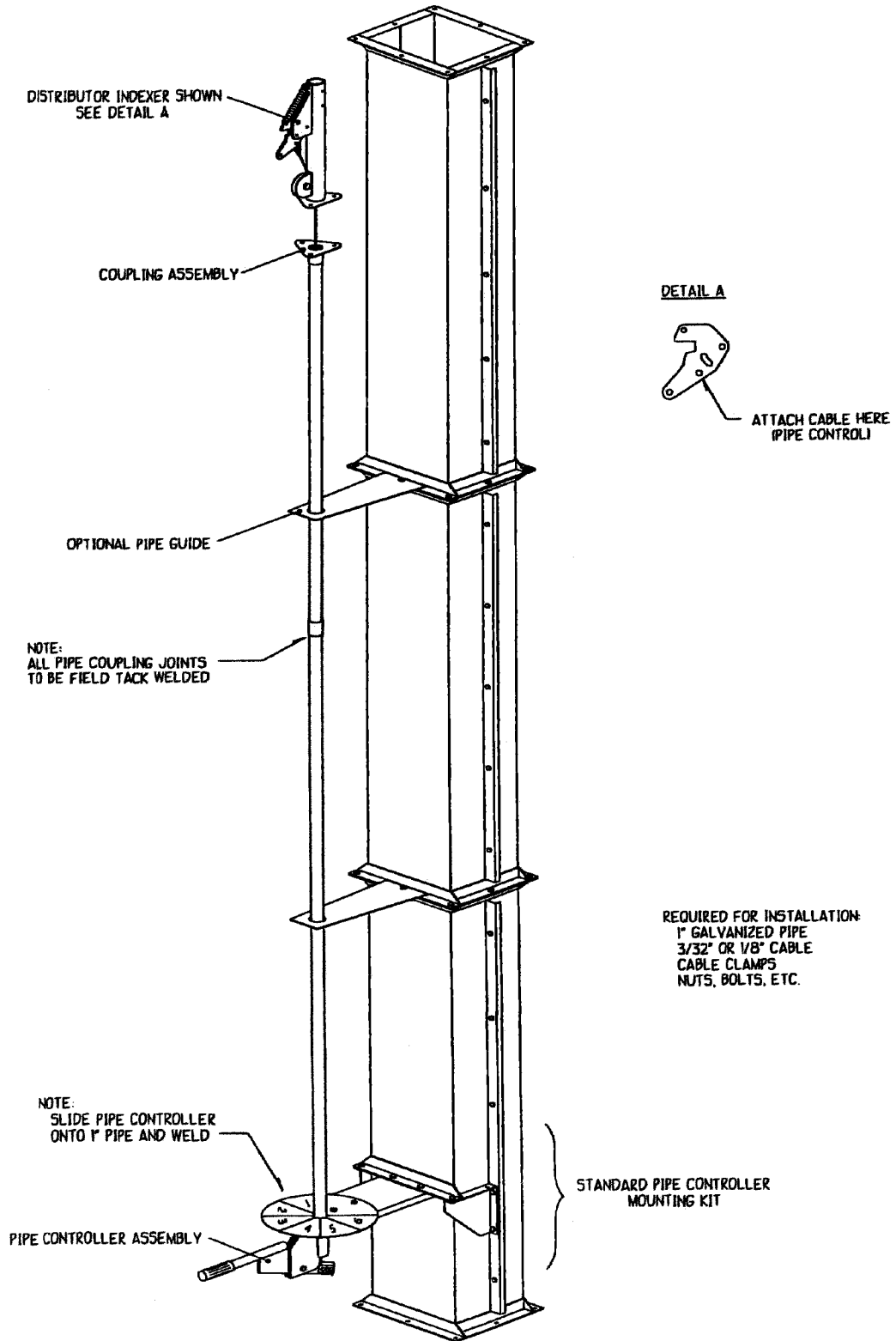
† Based on 30' between platforms (or platform and ground).  
Add or subtract 1 for each 10' variation.

## LADDER TRANSFER PLATFORM ASSEMBLY

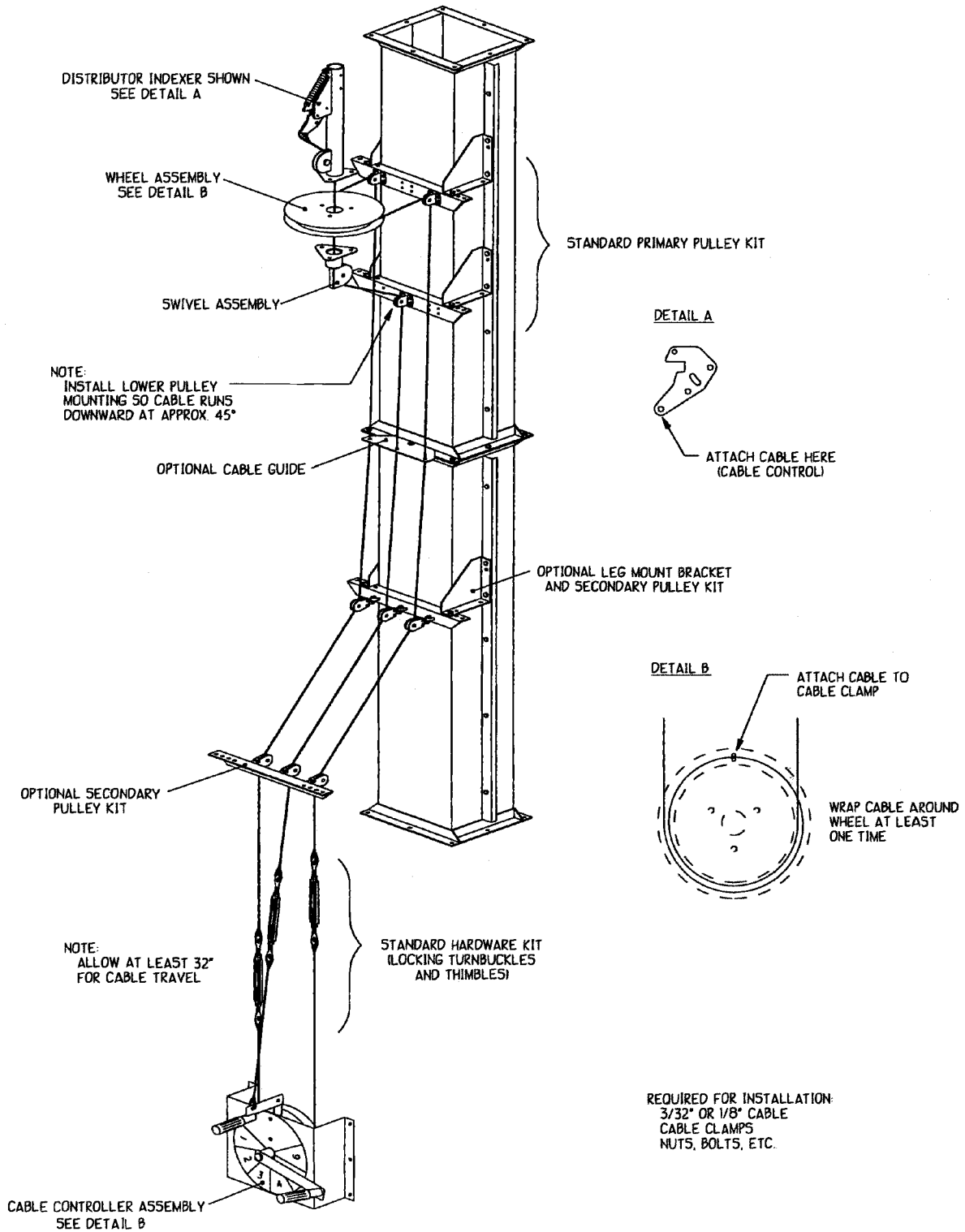


# HONEYVILLE DISTRIBUTOR

## Pipe Control Installation Guide



## HONEYVILLE DISTRIBUTOR Cable Control Installation Guide



## **perma** CLASSIC Automatic Lubricator



**The perma CLASSIC is Ex-Proof certified, equivalent to USA – NEC 500 and NEC 505 certification.**

**Volume: 120cc**

**Housing Design: Metal**

**Lubrication Period: 1, 3, 6, or 12 months**

**Operating Temperature Range: 32°F to 104°F**

**Pressure Build-up: max. 4 bar / 65 psi**



- Supplies all lubrication points with grease or oil
- Fully automatic, maintenance-free
- Indicates when fully discharged
- Lubricates up to 12 months, depending on type
- Can be replaced by hand, without tools
- Operates in any position
- Lubricators are non-reusable
- **Replacement Kit: HMPS-RK-1**
- **New Application Kit: HMPS-LK1**

### **Operational Principles**

By tightening the plastic activating screw, the gas generator falls into the liquid electrolyte. The chemical reaction builds up pressure which causes the piston to move forward. The lubricant is continuously injected into the lubrication point. At the end of the lubrication period the discharge indicator cap becomes clearly visible, indicating the lubricant has been fully discharged due to its transparent casing the movement of the piston can be seen during the lubrication cycle. The delay between activation & lubrication depends on the perma type. The perma CLASSIC & FROST contain 4.8oz (120cc) of lubricant which is also equal to 100 shots of grease.

# **perma** CLASSIC

## Automatic Lubricator

### Installation



Fig. 1



Fig. 2

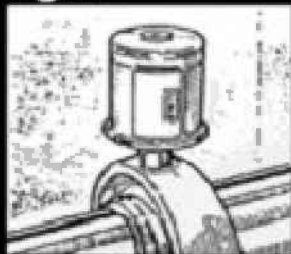


Fig. 3



Fig. 4



Fig. 5

- We recommend activating the unit prior to installing it. Do not expect immediate discharge; operating pressure takes from 1 to 12 days to develop, depending on the PERMA month type.
- Take the plastic activator and begin to hand tighten into the opening bottom of the PERMA.
- When the activator becomes hand tight, take a screw driver and insert it through the top ring of the activator (**fig.1**). PERMA Classic activators are recognized by the Black O-ring seal and Futura activators by their Pink O-ring seal. Continue to tighten until the O-ring breaks off (**fig. 2**). **DO NOT** break ring off by hand. This could jeopardize the activation of the PERMA. To insure the activation pellet has fallen from the activator into the bladder that starts the chemical dispensing reaction, simply shake the PERMA to hear the pellet rattle inside.
- Enter installation & replacement dates on the label.
- **Prior to installation, ALWAYS pre-lubricate the bearing / lubrication point using a hand grease gun filled with the same or compatible grease as the PERMA to ensure it is accepting grease freely.**
- Remove the grease fitting.
- Remove the black outlet plug from the PERMA canister.
- Typically most bearing lubrication ports are 1/8" or 1/4". The PERMA thread is 1/4" MNPT. If the grease inlet is 1/8", you will need a 1/4" F x 1/8" M adapter (part # B100; **fig. 3**). If your inlet is 1/4", you can mount direct. Either way, screw the PERMA into the fitting or bearing **hand tight only**.
- Bearing requiring greater amounts of grease can be served by mounting several PERMAS in series using standard PERMA Accessory Parts (**fig.4**).
- Grease filled PERMAS may be mounted in any direction (**fig. 5**), even under water.
- All Oil filled PERMAS require a check valve at the point of lubrication (part# A810). **Remote Installations & Max. Remote Distance w/ NLGI #2 Grease @ 77 F**
- PERMAS may be remote mounted by means of pipe or tubing/hose. This allows for continuous lubrication of hard to reach spots, such as points located inside of machinery guards. Always use 1/4" pipe or 3/8" tubing/hose (150 PSI minimum burst pressure rating).
- Make sure pipe or tubing is pre-filled with the same or compatible lubricant. **1-month (6 feet), 3-month (4 feet), 6-month (2 feet), 12-month (1 foot)**
- Lower NLGI grades and oil may be remote further distances. Call for assistance.



## Register Your New CC Swift in Four Easy Steps:

### 1) Your Contact Information

Company Name: \_\_\_\_\_  
First Name: \_\_\_\_\_ Last Name: \_\_\_\_\_  
Address: \_\_\_\_\_  
City: \_\_\_\_\_ State: \_\_\_\_\_ Zip: \_\_\_\_\_  
Country: \_\_\_\_\_  
Phone: \_\_\_\_\_ Fax: \_\_\_\_\_ E-Mail: \_\_\_\_\_  
Purchase Date: \_\_\_\_\_ Delivery Date: \_\_\_\_\_

### 2) Your Bucket Elevator Information

Brand: Honeyville Metal, Inc. Serial Number: \_\_\_\_\_  
Advertised Capacity (BPH): \_\_\_\_\_  
Bucket Size: \_\_\_\_\_ Bucket Vertical Centers: \_\_\_\_\_ Bucket Color: Yellow Bucket Rows: \_\_\_\_\_  
Belt Speed (FPM) or Head Shaft (RPM): \_\_\_\_\_ Head Pulley Diameter: \_\_\_\_\_  
Commodity(s) Elevated: \_\_\_\_\_  
➤ Bucket Elevator Usage (circle one):      Farm Use      Commercial Use

### 3) Your Dealer Information

Dealer Company Name: \_\_\_\_\_ Contact Name: \_\_\_\_\_  
Address: \_\_\_\_\_  
City: \_\_\_\_\_ State: \_\_\_\_\_ Zip: \_\_\_\_\_  
Country: \_\_\_\_\_  
Phone: \_\_\_\_\_ Fax: \_\_\_\_\_ E-Mail: \_\_\_\_\_  
➤ Did your dealer install the bucket elevator (circle one)?      Yes      No  
➤ If selling dealer did not install, who did? \_\_\_\_\_

### 4) Mail or Fax Completed Form

**Mailing Address:**      OR      **Fax Number:**  
TOPS Inc.      (314) 395-8671  
2641 Metro Blvd.  
Maryland Heights, MO 63043

➤ Upon receipt of completed form, TOPS will send a confirmation that your new "Performance Warranty" is active.

**On behalf of TOPS, authorized bucket elevator manufacturers, and involved dealers, we sincerely appreciate your choice in partnering with us for your new equipment purchase!**



## **PERFORMANCE WARRANTY REGISTRATION COVERAGE**

### **Exclusive 2-Year Performance Warranty Coverage**

TOPS' exclusive "Performance Warranty" is valid only on newly purchased bucket elevators purchased through a TOPS authorized original equipment bucket elevator manufacturer (OEM). When CC Swifts are installed from the factory on new equipment, TOPS will warranty the wear performance of these heavy-duty non-metallic elevator buckets for a two year period. Simply stated, we guarantee our new standard of heavy-duty elevator buckets will offer a minimum of two years trouble free service in your bucket elevator; and if they don't under normal running conditions, TOPS will send out new CC Swifts free of charge!

### **Warranty Period**

Two years from date of original purchase from an authorized bucket elevator manufacturer.

### **Bucket Elevators Covered**

- A. Only newly manufactured bucket elevators which are sold by TOPS authorized bucket elevator manufacturers (OEMs).
- B. Any bucket elevator capacity rating.

### **Elevator Buckets Covered**

TOPS' full line of CC Swift non-metallic, heavy-duty elevator buckets manufactured in polyethylene, nylon or urethane.

### **Covered By This Performance Warranty**

- A. The original purchasing individual or company.
- B. Persons or companies to whom ownership of the bucket elevator is transferred during the term of the applicable warranty period; but only for the balance of the warranty period remaining from the original purchase.

### **Warrantor**

Therm-O Plastic Suppliers, Inc. (TOPS)  
2641 Metro Boulevard  
Maryland Heights, MO 63043  
Customer Service: (877)-326-4707  
Website: [www.topsinc.us](http://www.topsinc.us)

### **Duties of OEM or Dealer**

- A. Inform consumer of warranty and provide warranty form to be filled out.
- B. Supply the correct CC Swift elevator bucket that is manufactured in the correct plastic (polyethylene, nylon, urethane) for the commodity being elevated.

### **Duties of Bucket Elevator User**

- A. COMPLETION AND RETURN OF THE CC SWIFT PERFORMANCE WARRANTY FORM TO TOPS, WITHIN 30 DAYS OF ORIGINAL BUCKET ELEVATOR DELIVERY, IS REQUIRED TO REGISTER THE PURCHASE.
- B. Exercise reasonable bucket elevator maintenance, care and operation.
- C. Should a failure of a CC Swift occur, the consumer must notify a TOPS customer service representative immediately at (877) 326-4704 to receive instructions for bucket return and replacement. A TOPS sales engineer may visit to assess the claim.

### **Duties of Warrantor**

- A. Any defective CC Swift elevator bucket covered by this "Performance Warranty" will be replaced by TOPS at no cost to the consumer. TOPS WILL NOT reimburse or be charged with labor, labor costs, down time costs or equipment rental etc.
- B. If a second claim occurs at any time during the two year warranty period, a TOPS Inc. sales engineer will make an appointment with the consumer to examine the bucket elevator exhibiting problems. TOPS will help diagnose the problem in the bucket elevator.
- C. Elevator buckets and hardware (if needed) will be replaced free of charge as well as standard freight or UPS service.
- D. TOPS will ship replacement buckets and hardware (if needed) in a timely manner.

### **Warranty Exclusions and Limitations**

- A. The following failures are not covered by this warranty:
  - 1. Bucket failure due to UV damage.
  - 2. Bucket failure due to tramp material or abnormal impact.
  - 3. Failure that occurs while two or more brands are running at the same time in the same bucket elevator.
  - 4. Failure due to improper elevator bucket installation.
  - 5. Failure due to improper bucket elevator or elevator belt maintenance or installation.
  - 6. Failure, ultimately caused by extreme hot / cold temperatures or chemical breakdown.
  - 7. Failure due to unauthorized elevator bucket modifications.
- B. TOPS WILL NOT BE LIABLE FOR ANY INCIDENTAL OR CONSEQUENTIAL DAMAGES AND THERE ARE NO EXPRESS WARRANTIES OTHER THAN THOSE SET FORTH HEREIN.