

Honeyville

HF Series Fans



15 Sizes - Ranging from 6" to 41" Inlet & 600 to 55,400 CFM



FAN SIZE & Model	A	B	C	D	E	F	G	H	I	J	K	L	M
HF6	5-1/2	4-1/4	11-1/4	6	8-7/8	8-11/16	19-1/8	20-3/16	21-11/16	4-7/8	18-5/16	15-7/8	14-1/4
HF8	7-1/4	5-3/4	12-3/4	8	11	10-15/16	22-7/8	23-3/4	24-11/16	4-9/16	23	17-3/4	16-1/4
HF9	9-1/16	8	17-7/8	9	11-7/16	11-3/16	24-1/8	29-5/16	30-13/16	3-7/8	23-11/16	15	13-1/4
HF11	10-3/4	9-7/16	18	11	14	13-11/16	29-1/2	32	33-13/16	4-3/4	29	18	15
HF13	12-7/8	11-1/8	20-7/8	13	16-1/4	15-15/16	34-3/4	37-1/8	39-11/16	5-5/8	33-3/4	21	17-3/4
HF15	14-3/4	12-3/4	23-7/16	15	18-3/8	18-3/16	39-7/8	41-13/16	45-1/8	6-5/8	38-1/4	23-1/2	19-5/8
HF17	16-1/2	14-1/2	26-15/16	17	20-1/2	20-3/8	44-7/8	47-7/16	51-7/16	7-5/8	43	26	22-1/4
HF19	18-3/8	16	30-1/16	19	22-5/8	22-3/4	50-1/8	52-11/16	57-7/16	8-3/4	47-7/8	29	24-7/8
HF21	20-3/8	17-11/16	33-3/16	21	24-9/16	25-1/8	55-1/4	57-3/4	63-5/8	9-3/8	52-1/4	31-1/2	27-3/8
HF23	22-7/16	19-9/16	35-3/8	23	26-3/4	27-9/16	60-5/8	62-1/8	68-7/16	10-1/4	57-1/4	34-1/4	29-1/2
HF26	25-5/16	22	39-1/2	26	29-7/8	30-7/8	67-3/4	69-3/8	76-3/8	11-1/4	64-1/8	38-5/8	34
HF29	28-1/8	24-9/16	43-1/2	29	33-1/8	34-9/16	75-7/8	77-7/16	85-5/8	12-3/4	71-1/4	42-7/8	38-1/4
HF33	31-15/16	28-3/16	49-1/2	33	37-3/8	39-3/8	86-3/8	86-7/8	96-1/2	14-3/4	80-3/4	48-1/8	43-1/2
HF37	35-15/16	31-5/16	51-1/4	37	42-5/8	44-1/8	97-1/8	93-7/8	104-1/4	16-3/4	91-1/8	53-3/4	49-1/8
HF41	39-11/16	34-11/16	56-1/2	41	46-3/4	48-3/4	107-3/8	103-1/4	115-1/8	18-1/2	100-1/2	59	54-3/8

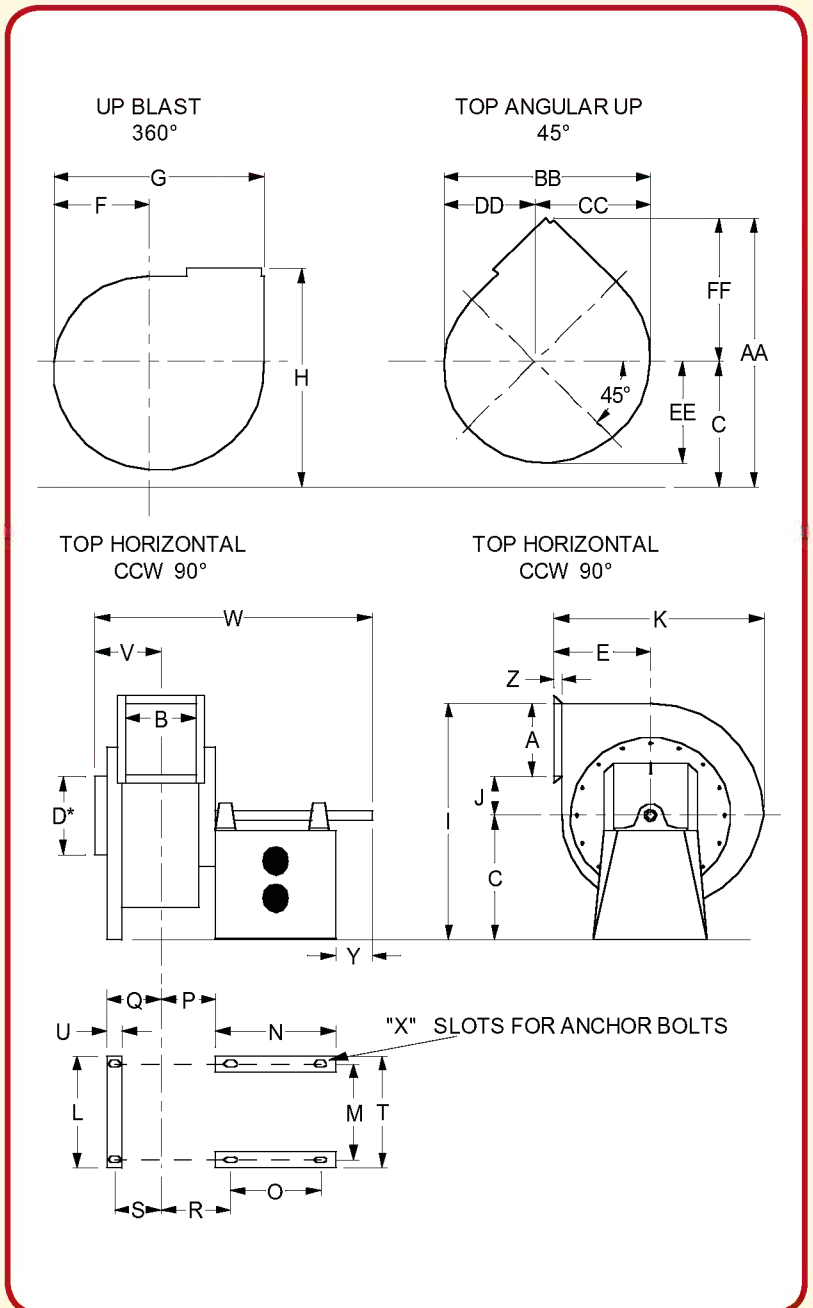
FAN SIZE & Model	T	U	V	W	X	Y	Z	AA	BB	CC	DD	EE
HF6	15-5/8	1-5/8	4-13/16	22	13/32	3-9/16	15/16	24-3/4	18-1/4	9-5/16	8-5/16	9-1/16
HF8	17-3/4	1-5/8	5-13/16	23-13/16	13/32	3-9/16	15/16	28-3/4	22-1/4	12	10-1/4	11-1/2
HF9	15	2	7-3/8	34-5/16	9/16x1	4-1/2	1-3/8	35-1/8	23-3/8	12-3/4	10-5/8	11-11/16
HF11	17-3/4	3	9-5/16	39-15/16	9/16x1	4-1/2	2	38-7/8	28-1/2	15-1/2	13	14-1/4
HF13	19-3/4	3	10-1/8	42-3/8	9/16x1	4-9/16	2	45-5/8	34	19	15	16-1/2
HF15	21-5/8	3	11	46	11/16x1	5-5/16	2	51-11/16	38	20-3/4	17-1/4	17
HF17	24-1/4	3	11-7/8	48-1/8	11/16x1	5-5/16	2	58-11/16	43	23-1/2	19-1/2	21-1/4
HF19	27-1/2	3	14-1/16	52-1/16	13/16x1-1/4	5-3/8	2	65-5/16	45-3/4	24	21-3/4	26-1/2
HF21	30	3	14-15/16	55-15/16	13/16x1-1/4	6-1/2	2	71-11/16	53	29	24	26-1/2
HF23	32-1/8	3	15-7/8	58-3/8	13/16x1-1/4	6-9/16	2	77-3/8	58	32	26	29
HF26	36-3/4	3	18-5/8	65-3/16	13/16x1-1/4	6-11/16	2	86-1/2	65	35-1/2	29-1/2	32-1/2
HF29	41	3	19-7/8	74-1/16	13/16x1-1/4	9-1/16	2	96-13/16	73	40	33	36-1/2
HF33	46-1/4	4	21-11/16	82-1/8	1-1/16x1-1/2	9-5/8	2	109	82-1/2	45	37-1/2	41-1/2
HF37	51-7/8	4	23-5/16	91-1/8	1-1/16x1-1/2	12	3	118-3/4	87-1/2	51	46-1/2	42
HF41	57-1/8	5	24-15/16	99-15/16	1-1/16x1-1/2	12	3	130-3/4	102-9/16	53-9/16	48-3/4	50-1/4

*All dimensions above are shown in inches.

	N	O	P	Q	R	S
	11-7/16	9-3/4	2-1/8	3-3/4	3	3
	11-1/2	9-3/4	2-15/16	4-9/16	3-13/16	3-13/16
	16-1/4	10-1/4	6-3/16	6-3/16	9-3/16	5-5/16
	19-1/4	13-1/4	6-7/8	7-7/8	9-7/8	6-9/16
	20	14	7-11/16	8-11/16	10-11/16	7-3/8
	21-1/8	15-1/4	8-9/16	9-9/16	11-5/8	8-1/4
	21-1/4	15-1/4	9-7/16	10-7/16	12-7/16	9-1/8
	21-1/4	15-1/4	10-5/8	11-1/8	13-11/16	9-13/16
	22-1/2	16-1/2	12	12	15	10-11/16
	23	17	12-15/16	12-15/16	15-15/16	11-5/8
	25-5/8	19-1/2	14-1/4	14-1/4	17-5/16	12-15/16
	29-5/8	23-1/2	15-1/2	15-1/2	18-9/16	14-3/16
	33	27	17-7/8	18-3/8	20-15/16	16-9/16
	36-3/8	30-3/8	19-3/8	19-15/16	22-7/16	18-1/8
	40-7/8	34-7/8	21-3/16	22-11/16	24-1/4	20-3/8




FF	CFM	Weight in Pounds			
	4,000-6,000 FPM	STD	HD	XHD	XHD-AR
	8"-12" SP				
13-1/2	600-875	98	103	114	122
16	1,075-1,625	121	131	148	154
17-1/4	1,900-2,875	226	253	306	330
20-7/8	2,650-4,000	328	370	428	465
24-3/4	3,800-5,700	396	450	527	576
28-1/4	5,000-7,500	497	568	676	731
31-3/4	6,400-9,600	606	696	832	900
35-1/4	7,900-11,900	824	949	1109	1204
38-1/2	9,700-14,600	989	1133	1330	1438
42	11,800-17,600	1202	1392	1652	1713
47	15,000-22,500	1688	1907	2195	2249
52-1/2	18,600-28,000	2143	2405	2761	2820
59-1/2	24,200-36,300	3122	3497	4031	3827
67-1/2	30,300-45,500	3879	4364	5053	4800
75-5/16	37,000-55,400	5513	-	-	-



Wheel Specifications							Shaft Specifications			
Model	Wheel Dimensions		Paddle Material				Diameter		Shaft Length	Keyway in Shaft
	Dia.	Width	STD	HD	XHD	XHD-AR 400F	STD/HD	XHD		
HF6	12-1/2	3-1/4	1/4 HR	-	-	-	1-1/8		17	1/4 x 1/8 x 2
HF8	13-3/4	4	1/4 HR	-	3/8 HR	-	1-1/8	1-11/16	17	1/4 x 1/8 x 2
HF9	15-1/2	6-3/4	3/16 HR	5/16 HR	7/16 HR	1/2 AR 400F	1-7/16	1-11/16	28-1/2	3/8 x 3/16 x 3-1/2
HF11	19	8	3/16 HR	5/16 HR	7/16 HR	1/2 AR 400F	1-11/16	1-15/16	32	3/8 x 3/16 x 3-1/2
HF13	22-1/2	9-1/2	3/16 HR	5/16 HR	7/16 HR	1/2 AR 400F	1-11/16	1-15/16	34	3/8 x 3/16 x 3-1/2
HF15	26	10-7/8	3/16 HR	5/16 HR	7/16 HR	1/2 AR 400F	1-15/16	2-3/16	37	1/2 x 1/4 x 4-1/2
HF17	29-1/2	12-3/8	3/16 HR	5/16 HR	7/16 HR	1/2 AR 400F	1-15/16	2-3/16	38-1/4	1/2 x 1/4 x 4-1/2
HF19	32-1/2	13-11/16	3/16 HR	5/16 HR	7/16 HR	1/2 AR 400F	2-3/16	2-7/16	40-1/2	1/2 x 1/4 x 5-1/2
HF21	36-1/4	15-5/16	3/16 HR	5/16 HR	7/16 HR	1/2 AR 400F	2-7/16	2-11/16	43-1/2	5/8 x 5/16 x 5-1/2
HF23	39-3/4	16-3/4	3/16 HR	5/16 HR	7/16 HR	1/2 AR 400F	2-7/16	2-11/16	45	5/8 x 5/16 x 5-1/2
HF26	45-1/8	18-7/8	1/4 HR	3/8 HR	1/2 HR	1/2 AR 400F	2-11/16	2-15/16	49-1/2	5/8 x 5/16 x 6-1/2
HF29	50-1/2	21-1/8	1/4 HR	3/8 HR	1/2 HR	1/2 AR 400F	3-3/16	3-7/16	57-1/2	3/4 x 3/8 x 6-1/2
HF33	57-1/2	24	5/16 HR	7/16 HR	9/16 HR	1/2 AR 400F	3-7/16	3-11/16	64-1/4	7/8 x 7/16 x 8
HF37	64-3/8	27-1/8	5/16 HR	7/16 HR	9/16 HR	1/2 AR 400F	3-15/16	4-7/16	72	1 x 1/2 x 9-3/4
HF41	71-1/4	30	5/16 HR	-	-	-	4-7/16		79	1x 1/2 x 9-3/4

Housing Specifications												
Model	STD			HD			XHD			XHD-AR 400F		
	Back	Sides	Outlet	Back	Sides	Outlet	Back	Sides	Outlet	Back	Sides	Outlet
HF6	12 Ga	12 Ga	14 Ga	3/16 HR	12 Ga	10 Ga	5/16 HR	10 Ga	3/16 HR	5/16 AR	3/16 HR	3/16 AR
HF8	12 Ga	12 Ga	14 Ga	3/16 HR	12 Ga	10 Ga	5/16 HR	10 Ga	3/16 HR	5/16 AR	3/16 HR	3/16 AR
HF9	10 Ga	10 Ga	12 Ga	1/4 HR	10 Ga	3/16 HR	3/8 HR	3/16 HR	1/4 HR	3/8 AR	1/4 HR	1/4 AR
HF11	10 Ga	10 Ga	12 Ga	1/4 HR	10 Ga	3/16 HR	3/8 HR	3/16 HR	1/4 HR	3/8 AR	1/4 HR	1/4 AR
HF13	10 Ga	10 Ga	12 Ga	1/4 HR	10 Ga	3/16 HR	3/8 HR	3/16 HR	1/4 HR	3/8 AR	1/4 HR	1/4 AR
HF15	10 Ga	10 Ga	12 Ga	1/4 HR	10 Ga	3/16 HR	3/8 HR	3/16 HR	1/4 HR	3/8 AR	1/4 HR	1/4 AR
HF17	10 Ga	10 Ga	10 Ga	1/4 HR	10 Ga	3/16 HR	3/8 HR	3/16 HR	1/4 HR	3/8 AR	1/4 HR	1/4 AR
HF19	10 Ga	10 Ga	10 Ga	1/4 HR	10 Ga	3/16 HR	3/8 HR	3/16 HR	1/4 HR	3/8 AR	1/4 HR	1/4 AR
HF21	10 Ga	10 Ga	10 Ga	1/4 HR	10 Ga	3/16 HR	3/8 HR	3/16 HR	1/4 HR	3/8 AR	1/4 HR	1/4 AR
HF23	3/16 HR	3/16 HR	10 Ga	5/16 HR	3/16 HR	1/4 HR	7/16 HR	1/4 HR	5/16 HR	3/8 AR	5/16 HR	5/16 AR
HF26	3/16 HR	3/16 HR	3/16 HR	5/16 HR	3/16 HR	1/4 HR	7/16 HR	1/4 HR	5/16 HR	3/8 AR	5/16 HR	5/16 AR
HF29	3/16 HR	3/16 HR	3/16 HR	5/16 HR	3/16 HR	1/4 HR	7/16 HR	1/4 HR	5/16 HR	3/8 AR	5/16 HR	5/16 AR
HF33	1/4 HR	1/4 HR	3/16 HR	3/8 HR	1/4 HR	1/4 HR	1/2 HR	5/16 HR	5/16 HR	3/8 AR	5/16 HR	5/16 AR
HF37	1/4 HR	1/4 HR	3/16 HR	3/8 HR	1/4 HR	1/4 HR	1/2 HR	5/16 HR	5/16 HR	3/8 AR	5/16 HR	5/16 AR
HF41	5/16 HR	5/16 HR	1/4 HR	-	-	-	-	-	-	-	-	-

*All dimensions above are shown in inches.

<p>Manufactured by</p>  <p>4200S 900W • Topeka, IN 46571 Phone (800) 593-8377 • Fax (260) 593-2486 www.honeyvillemetal.com</p>	
--	--