



EFR Series Pulse-Jet Filters



10 Sizes – Ranging from 1,050 to 10,000 CFM





Service Ladder & Perimeter Safety Railing

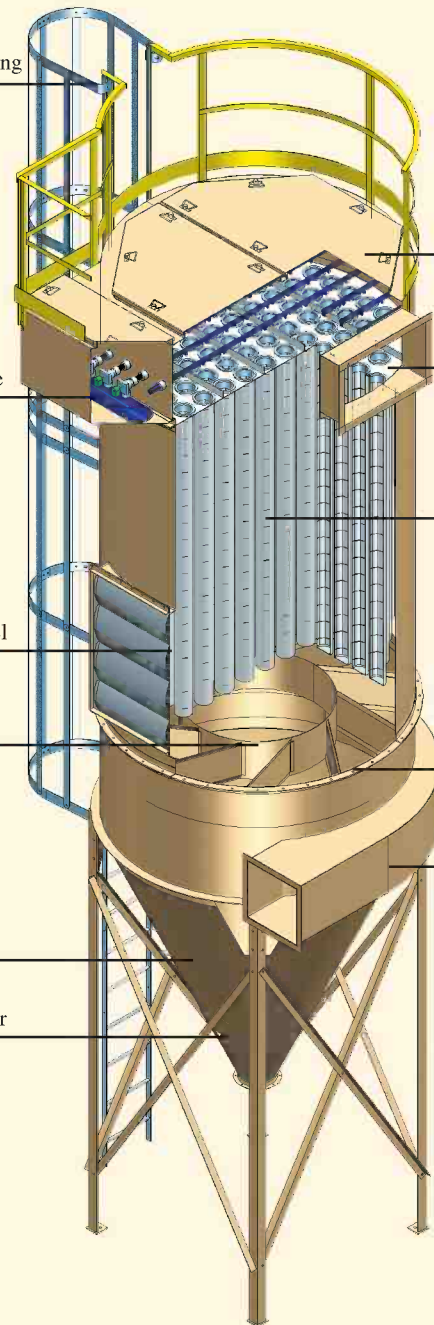
Pulse Valve Enclosure

Explosion Relief Panel

Inner Cone Baffle

67° Cone

Cone Inspection Cover



Clean Air Plenum, Service Enclosure

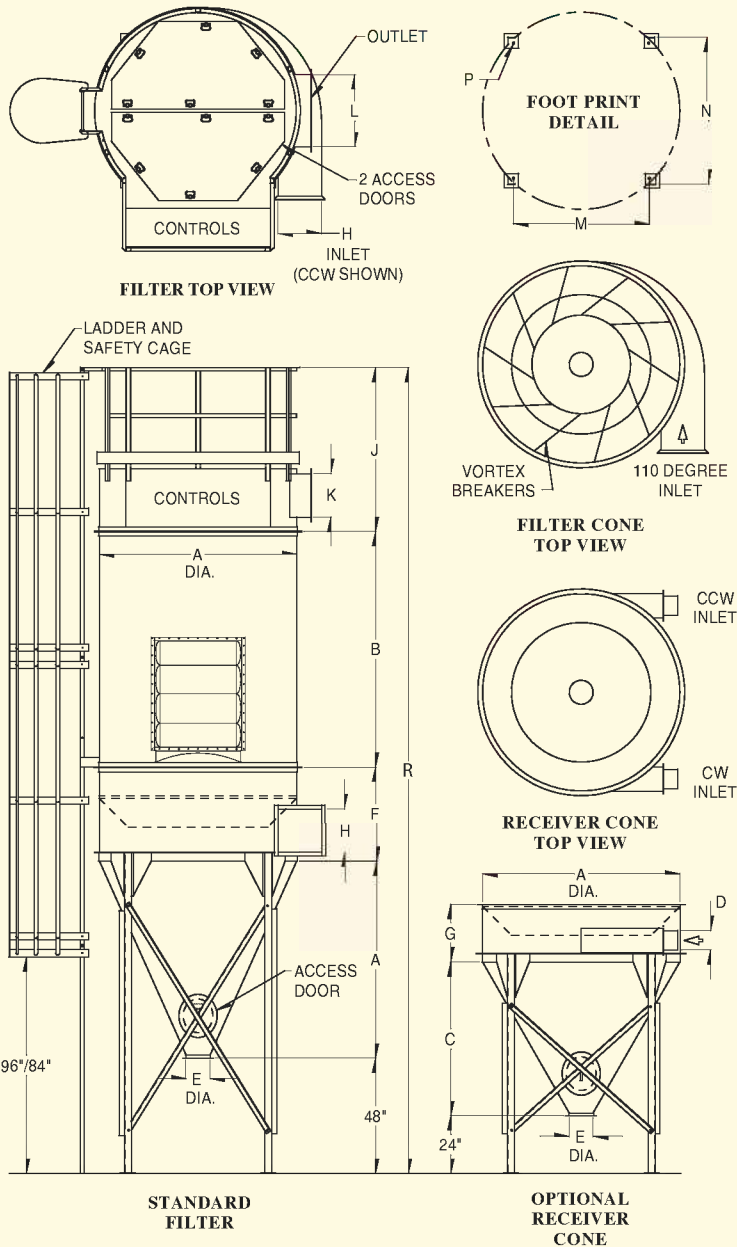
No-Tool Top Bag & Cage Removal

16 oz. Polyester Bags w/Mirror Finish & Galvanized Wire Cages

Vortex Breakers

110° Involute Inlet

HONEYVILLE EFR SERIES PULSE-JET CYCLONIC FILTER / PNEUMATIC RECEIVER



NOTES:

- Standard filter cone is a constant 67°
Optional receiver cone is a constant 60°
- Top perimeter safety railing with kick rail provided as a single section weldment
- Optional ladder and safety cage is available for all units (mounted opposite the air outlet)
- Level Indicator available
- Differential pressure gauge is supplied standard
- Unless otherwise specified, orientation as shown is standard
- Standard discharge clearance for filter cone is 48"
- Bolted leg structure (shipped K.D.) is standard with both cone types
- Adjustable pulse timer control in NEMA 4 enclosure, 115 volt 60 Hz AC required
- 1" NPT 90-110 PSI, clean dry air required. See SCFM for volume requirement
- Designed to operate up to 18" W.C. (vacuum or pressure applications)
- Unit may be used as a bin vent filter using no bottom cone inlet
- "D" and "E" dimensions may vary as required

CONSTRUCTION MATERIALS:

- Wire Cages: Galvanized Carbon Steel
- Bags: 16 oz. Poly/Felt, Singed or Mirror Finish
- Body: EFR-18 & 30 14 Ga. HR Steel
EFR-50 & 86 12 Ga. HR Steel
- Cone: EFR-18 & 30 12 Ga. HR Steel
EFR-50 & 86 10 Ga. HR Steel
- Cell Plate: EFR-18 & 30 12 Ga. HR Steel
EFR-50 & 86 10 Ga. HR Steel
- Continuous welded exterior and strip welded interior
- Flanged construction on all adjoining parts
- Painting: Standard spatter cleaning and metal preparation
Interior and exterior prime coated
Exterior coated with industrial enamel

EFR FILTER GENERAL INFORMATION

Model	No. Of Bags	No. Of Valves	Sq. Ft. Of Cloth	Comp. Air SCFM	Foot Plate	General Dimensions (shown in inches, unless otherwise noted)														
						A	B	C	D	E	F	G	H	J	K	L	M (Hole)	N (Leg)	P (Dia.)	R
EFR-18-6	18	3	131	5/10	6 x 6	48	87	36	4	8	27	16	12	62	12	24	32-3/4	37-1/4	13/16	22' 8"
EFR-18-8	18	3	174	8/12	6 x 6	48	111	36	4	8	27	16	12	62	12	24	32-3/4	37-1/4	13/16	24' 8"
EFR-30-6	30	5	218	12/18	6 x 6	48	87	36	5	8	27	16	12	62	12	24	32-3/4	37-1/4	13/16	22' 8"
EFR-30-8	30	5	291	15/20	6 x 6	48	111	36	5	8	27	16	12	62	12	24	32-3/4	37-1/4	13/16	24' 8"
EFR-50-6	50	5	363	18/23	8 x 8	82	87	64	6	10	39	24	18	68	18	30	57-1/4	62-5/8	1-1/8	27' 0"
EFR-50-8	50	5	485	20/30	8 x 8	82	111	64	6	10	39	24	18	68	18	30	57-1/4	62-5/8	1-1/8	29' 0"
EFR-86-6	86	9	624	25/35	8 x 8	82	87	64	8	10	39	24	18	68	18	30	57-1/4	62-5/8	1-1/8	27' 0"
EFR-86-8	86	9	834	30/40	8 x 8	82	111	64	8	10	39	24	18	68	18	30	57-1/4	62-5/8	1-1/8	29' 0"
EFR-86-10	86	9	1,042	30/40	8 x 8	82	135	64	8	12	39	24	18	68	18	30	57-1/4	62-5/8	1-1/8	31' 0"
EFR-86-12	86	9	1,250	35/45	8 x 8	82	159	64	8	12	39	24	18	68	18	30	57-1/4	62-5/8	1-1/8	33' 0"

EFR FILTER DESCRIBED

HONEYVILLE EFR CYCLONIC FILTERS are recommended for light to medium dust load applications utilizing cyclone separation and bag filtration as the final stage. This design uses a 110° Involute Inlet with an inner cyclone baffle and vortex breakers to insure minimal air swirl in the bag chamber with the primary separation taking place in the 67° cone section.

HONEYVILLE EFR PNEUMATIC RECEIVERS are designed for heavy duty load applications in which the filter is used as a pneumatic receiver. The tangential Inlet of the cone section together with an inner cyclone baffle, protects the bags from wear by abrasive and high velocity particles that are being separated and filtered out of the air stream.

THE EFR PULSE-JET FILTER/RECEIVER will effectively filter such materials as grain, feed, flour, minerals, cement products, plastics, and all types of wood waste. The filter utilizes pulse-jet cleaning of the bags and also provides NO-TOOL TOP BAG REMOVAL for inspection or service.

BAG CLEANING IS CONTROLLED BY AN ELECTRONIC TIMER. Upon activation by the timer, a diaphragm valve discharges the volume of the supply manifold for an adjustable period of time. Compressed air exits the manifold and travels into one of several pulse pipes that have air nozzles located directly above each bag. As the compressed air enters the bag, filtration is momentarily stopped. The compressed air bubble travels down the length of each bag moving the fabric and dust away from the cage. When the bag reaches its elastic limit, movement is stopped while the dust continues to move away from the bag surface and is discharged into the cone of the filter.

EFR FILTERS HAVE MINIMAL MOVING PARTS thus operating with a minimal amount of maintenance. The timer control is completely adjustable in regards to cycle and pulse duration to minimize compressed air usage. Clean, dry air at 90 to 95 PSI must be supplied. All units are equipped with a magnahelic gauge providing a constant reading of resistance due to dust build up on the filter bags.

Manufactured by



4200S 900W • Topeka, IN 46571
Phone (800) 593-8377 • Fax (260) 593-2486
www.honeyvillemetal.com